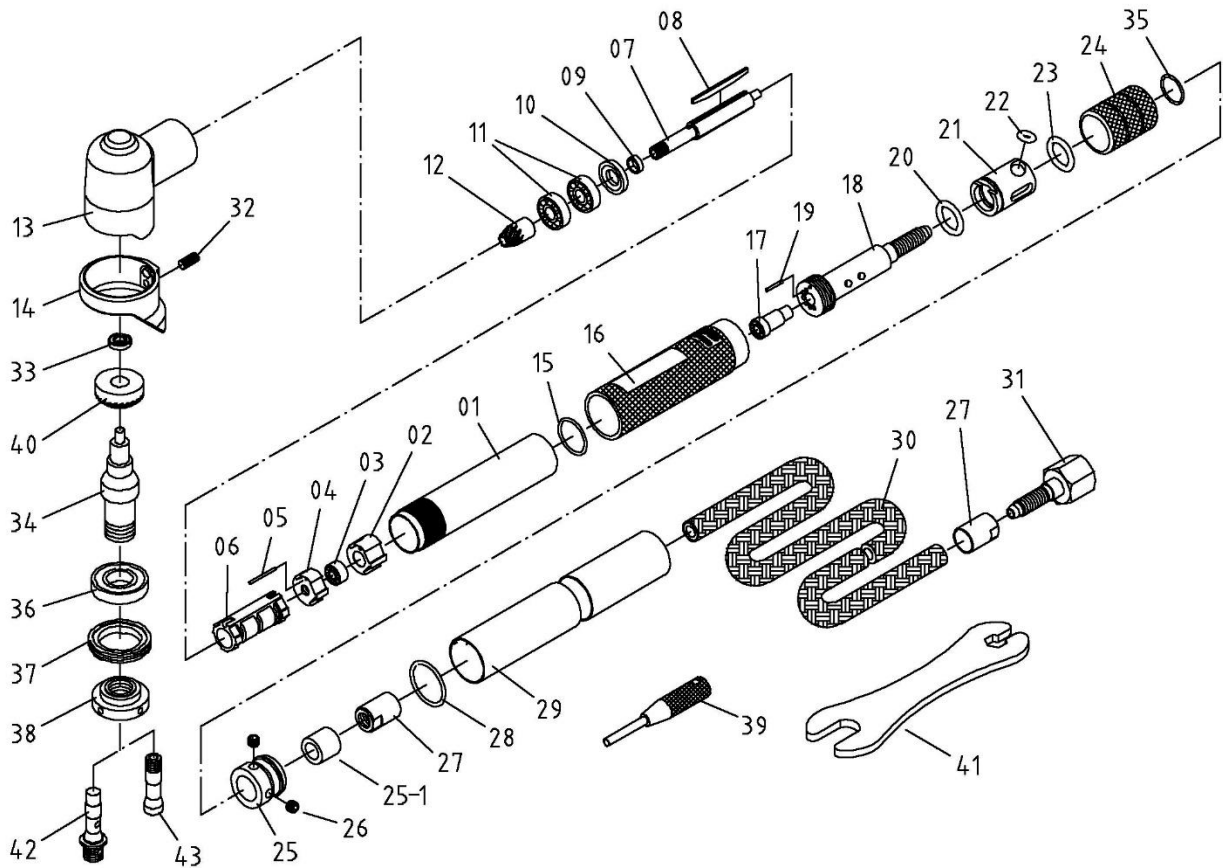


ZPD322 90° Air Micro Grinder



ZPD322 90° Air Micro Grinder

TECHNICAL DATA

Free Speed: 22,000 R.P.M.
Air Inlet Size: 1/4 inch-NPT/PT
Air Pressure: 6 kg/cm²
Air Cons.: 240 L/min

Net Weight: 0.345 kg
Tool Length: 140 mm
Hose Length: 1,500 mm
Exhaust System: Rear

PARTS LIST

Index	Part #	Description	Q'ty	Index	Part #	Description	Q'ty
1	ZPD322-01	Sleeve	1	23	ZPD322-23	O-Ring	1
2	ZPD322-02	Intake Plate	1	24	ZPD322-24	Sliding Knob	1
3	ZPD322-03	Ball Bearing	1	25	ZPD322-25	Rear Holder	1
4	ZPD322-04	Bearing Plate	1	25-1	ZPD322-25-1	Exhaust Cotton	1
5	ZPD322-05	Pin	1	26	ZPD322-26	Screw	2
6	ZPD322-06	Cylinder	1	27	ZPD322-27	Hose Ring	2
7	ZPD322-07	Rotor	1	28	ZPD322-28	Clamp	1
8	ZPD322-08	Poly Ketone-Bakelite	3	29	ZPD322-29	Muffler Tube	1
9	ZPD322-09	Collar	1	30	ZPD322-30	Air Hose	1
10	ZPD322-10	Spacer	1	31	ZPD322-31	Inlet Connector	1
11	ZPD322-11	Ball Bearing	2	32	ZPD322-32	Screw	1
12	ZPD322-12	Spiral Bevel Gear	1	33	ZPD322-33	Ball Bearing	1
13	ZPD322-13	Head Cover	1	34	ZPD322-34	Shaft	1
14	ZPD322-14	Cover Head	1	35	ZPD322-35	O-Ring	1
15	ZPD322-15	O-Ring	1	36	ZPD322-36	Ball Bearing	1
16	ZPD322-16	Rubber Sleeve	1	37	ZPD322-37	Lock Nut	1
17	ZPD322-17	Intake Steel Tube	1	38	ZPD322-38	Momentum Head	1
18	ZPD322-18	Hose Plug	1	39	ZPD322-39	Fixed Pin	1
19	ZPD322-19	Pin	1	40	ZPD322-40	Spiral Bevel Gear	1
20	ZPD322-20	O-Ring	1	41	ZPD322-41	Spanner	1
21	ZPD322-21	Bushing	1	42	ZPD322-42	Shaft	1
22	ZPD322-22	O-Ring	1	43	ZPD322-43	Collet Chuck	1