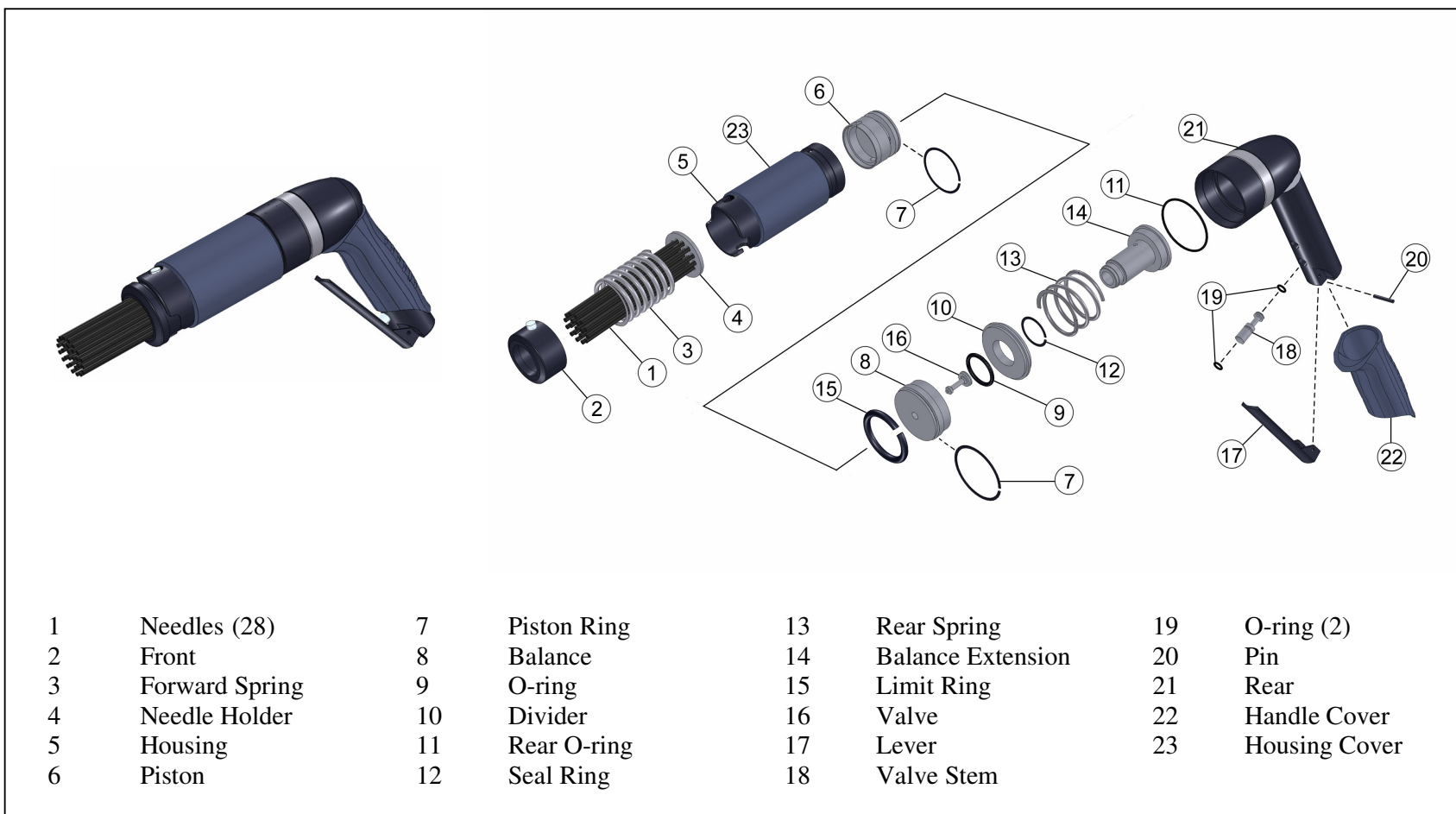


GNV-28 Low vibration needle scaler



Protected by patents

IPT Technologies AB, Stockholm, Sweden