

0.4hp Dynafile® II

Air Tool Manual – Safety, Operation and Maintenance

SAVE THIS DOCUMENT, EDUCATE ALL PERSONNEL

Models:

40352 – Basic Tool

40353 – “NWN” Tool



FIND THE MOST CURRENT OFFERING OF SUPPORT DOCUMENTS AND ACCESSORIES @ WWW.DYNABRADE.COM

⚠ WARNING

Read and understand this tool manual before operating your air tool. Follow all safety rules for the protection of operating personnel as well as adjacent areas. Always operate, inspect and maintain this tool in accordance with the American National Safety Institute (ANSI) Safety Code for Portable Air Tools – B186.1. For additional safety information, refer to Safety Requirements for the Use, Care and Protection of Abrasive Wheels – ANSI B7.1, Code of Federal Regulation – CFR 29 Part 1910, European Committee for Standards (EN) Hand Held Non-Electric Power Tools – Safety Requirements and applicable State and Local Regulations.

SAFETY LEGEND

	⚠ WARNING Read and understand tool manual before work starts to reduce risk of injury to operator, visitors, and tool.	⚠ WARNING Practice safety requirements. Work alert, have proper attire, and do not operate tools under the influence of alcohol or drugs.	
	⚠ WARNING Eye protection must be worn at all times, eye protection to conform to ANSI Z87.1.	⚠ WARNING Ear protection to be worn when exposure to sound, exceeds the limits of applicable Federal, State or local statutes, ordinances and/or regulations.	
	⚠ WARNING Respiratory protection to be used when exposed to contaminants that exceed the applicable threshold limit values required by law.	⚠ WARNING Air line hazard, pressurized supply lines and flexible hoses can cause serious injury. Do not use damaged, frayed or deteriorated air hoses and fittings.	

⚠ WARNING

Some dust created by sanding, grinding, drilling, and other construction activities contain chemicals known to cause cancer, birth defects or other reproductive harm. Some examples of these chemicals are:

- Lead from lead-based paints
- Crystalline silica from bricks and cement and other masonry products
- Arsenic and chromium from chemically treated lumber

Your risk from these exposures varies, depending on how often you do this type of work. To reduce your exposure to these chemicals: work in a well ventilated area, and work with approved safety equipment, such as those dust masks that are specially designed to filter out microscopic particles.

SAFETY INSTRUCTIONS

Carefully Read all instructions before operating or servicing any Dynabrade® Abrasive Power Tool.

Products offered by Dynabrade are not to be modified, converted or otherwise altered from the original design without expressed written consent from Dynabrade, Inc.

Tool Intent: 0.4hp Dynafile® II abrasive belt machine replaces tedious hand filing and sanding and can be used for grinding, deburring, blending and polishing. Tool can be used on most materials including metal, plastic, fiberglass, composites, rubber, glass and stone.

Do not use tool for anything other than its intended applications.

This power tool is not intended for use in potentially explosive atmospheres and is not insulated against contact with electrical power.

Training: Proper care, maintenance, and storage of your tool will maximize its performance.

- Employer's Responsibility – Provide 0.4hp Dynafile® II operators with safety instructions and training for safe use of tools and accessories.

Accessory Selection:

- Abrasive/accessory RPM (speed) rating MUST be approved for AT LEAST the tool RPM rating.
- Before mounting an accessory, visually inspect for defects. Do not use defective accessories.
- Mount only recommended accessories. See manual and Dynabrade catalog.
- Follow tool specifications before choosing size and type of accessory.

(continued on next page)

OPERATING INSTRUCTIONS

Warning: Always wear personal protective equipment. Operator of tool is responsible for following: accepted eye, face, respiratory, hearing and body protection.

Caution: Hand, wrist and arm injury may result from repetitive work, motion and overexposure to vibration.

- Only use recommended fittings and air line sizes. Air supply hoses and air hose assemblies must have a minimum working pressure rating of 150 PSIG (10 Bars, g) or 150 percent of the maximum pressure produced in the system, whichever is higher. (See tool Machine Specifications table.)
- Keep hand and clothing away from working end of the air tool.
- Working end of air tool has a potential of cutting and severing.
- Be sure that any loose clothing, hair and all jewelry is properly restrained.
- Secure inlet bushing on air tool with a wrench before attempting to install the air fitting to avoid damaging housing assembly.
- Check tool RPM (speed) with tachometer with air pressure set at 90 PSIG while the tool is running. If tool is operating at a higher speed than the RPM marked on the tool housing, or operating improperly, the tool must be serviced and corrected before use.

Caution: Tool RPM must never exceed abrasive/accessory RPM rating. Check accessory manufacturer for details on maximum operating speed or special mounting instructions.

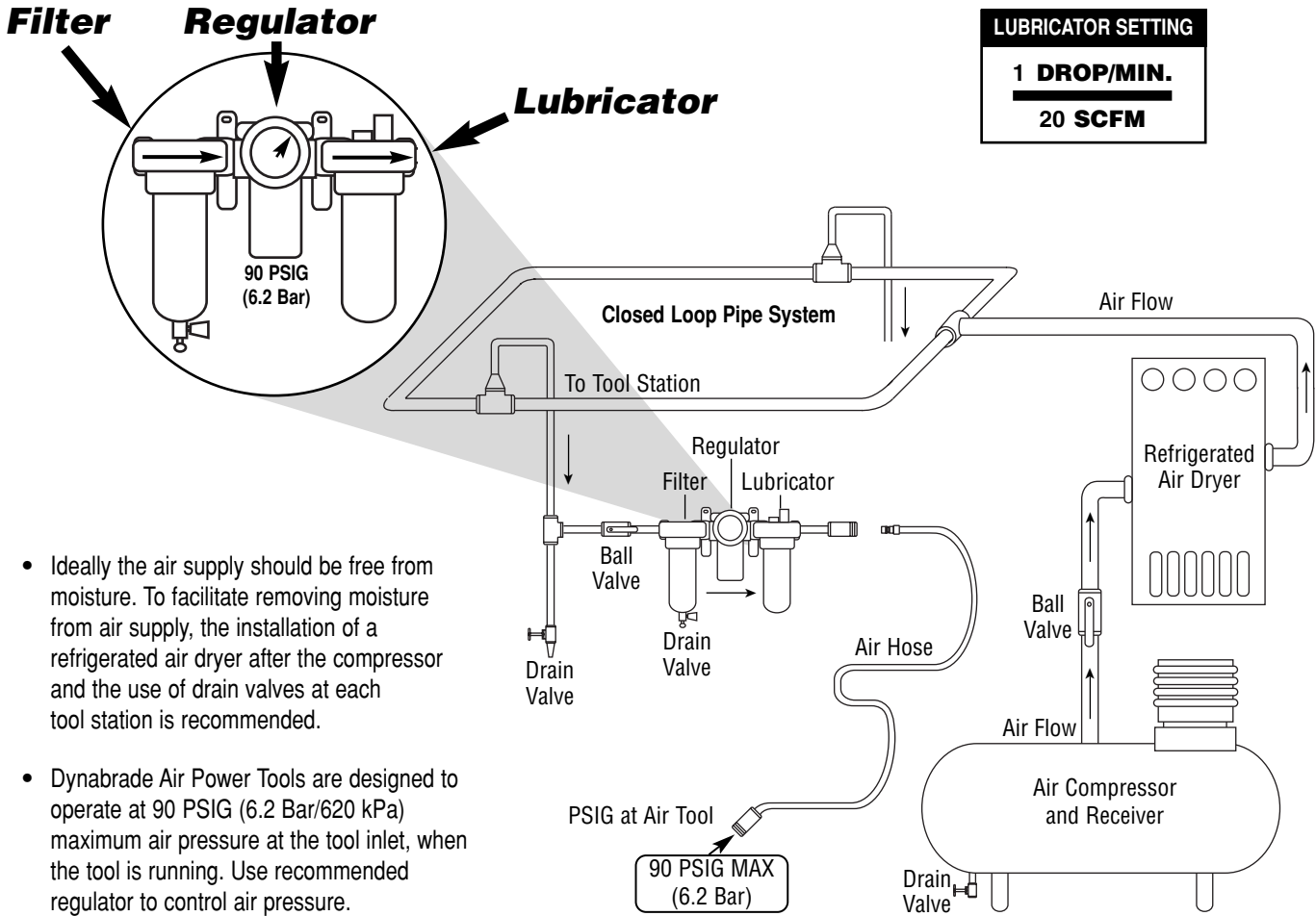
- Disconnect air hose from tool when changing belts and contact arms.
- Connect air tool to power source. Be careful NOT to depress throttle lever in the process. **Do not expose air tool to inlet pressure above 90 PSIG or (6.2 Bars).**

Caution: After installing the accessory, before testing or use and/or after assembling tool, the 0.4hp Dynaflex® II must be started at a reduced speed to check for good balance. Gradually increase tool speed. DO NOT USE if tool vibration is excessive. Correct cause, and retest to insure safe operation.

- Release throttle lever when air supply is interrupted.
- Make sure that work area is uncluttered, and visitors are at a safe range from the tools and debris.
- Ensure that sparks and debris resulting from work do not create a hazard.
- Use a vise or clamping device to hold work piece firmly in place.
- Do not apply excessive force on tool or apply "rough" treatment to it.
- Always work with a firm footing, good posture and proper lighting.
- Potentially explosive atmospheres can be caused by dust and fumes resulting from sanding or grinding.
- Always use dust extraction or suppression systems which are suitable for the material being processed.

Report to your supervisor any condition of the tool, accessories, or operation you consider unsafe.

Air System



Machine Specifications

Model Number	Motor HP (W)	Motor RPM	Max. SFPM (SMPM)	Sound Level	Air Flow Rate CFM/SCFM (LPM)	Abrasive Belt Size Inch (mm)	Weight Pound (kg)	Length Inch (mm)	Height Inch (mm)
All Models	.4 (298)	25,000	5,730 (1,486)	80 dB(A)	3/22 (626)	1/8"-1/2" (3-13)W x 18" (457)L	1.9 (.9)	14 (354)	4-1/8 (105)

Additional Specifications: Air Inlet Thread 1/4" NPT • Hose I.D. Size 1/4" (6mm) • 90 PSIG (6.2 Bars)

Maintenance Instructions

Important: A Preventative Maintenance Program is recommended whenever portable power tools are used.

- Use only genuine Dynabrade replacement parts to insure quality. To order replacement parts, specify **Model #**, **Serial #** and **RPM** of your air tool.
- It is strongly recommended that all Dynabrade rotary vane air tools be used with a Filter-Regulator-Lubricator to minimize the possibility of misuse due to unclean air, wet air or insufficient lubrication. Dynabrade recommends the following: **11405** Air Filter-Regulator-Lubricator (FRL) – Provides for air pressure regulation, two stage filtration of water and contaminants. Operates 40 SCFM/1,133 LPM @ 100 PSIG with 3/8" NPT female ports.
- Dynabrade recommends one drop of air lube per minute for every 20 SCFM (example: if the tool specification states 20 SCFM, set the drip rate on the filter-lubricator to 1 drops per minute). Dynabrade Air Lube (P/N **95842**: 1 pt 473 ml) is recommended.

Routine Preventative Maintenance: Check free speed of 0.4hp Dynaflex® II using a tachometer.

- Mineral spirits are recommended when cleaning the tool and parts. Do not clean tool or parts with any solvents or oils containing acids, esters, ketones, chlorinated hydrocarbons or nitro carbons.
- **DO NOT** clean or maintain tools with chemicals that have a low flash point (example: WD-40®).
- A Motor Tune-Up Kit (P/N **96074**) is available which includes high wear and medium wear motor parts.
- Air tool labels must be kept legible at all times, if not, reorder label(s) and replace. User is responsible for maintaining specification information i.e.: Model #, S/N, and RPM. (See Assembly Breakdown)
- Blow air supply hose out prior to initial use.
- Visually inspect air hoses and fittings for frays, visible damage and signs of deterioration. Replace damaged or worn components to avoid whipping compressed air hoses.
- Refer to Dynabrade's Warning/Safety Operating Instructions Tag (Reorder No. **95903**) for safety information.

After maintenance is performed on tool, add a few drops of Dynabrade Air Lube (P/N **95842**) to the air line and start the tool a few times to lubricate air motor. Check for excessive tool vibration.

Handling and Storage:

- Use of tool rests, hangers and/or balancers is recommended.
- Protect tool inlet from debris (see Notice below).
- **DO NOT** carry tool by air hose.
- Protect abrasive accessories from exposure to water, solvents, high humidity, freezing temperature and extreme temperature changes.
- Store accessories in protective racks or compartments to prevent damage.

Notice

All Dynabrade motors use the highest quality parts and metals available and are machined to exacting tolerances. The failure of quality pneumatic motors can most often be traced to an unclean air supply or the lack of lubrication. Air pressure easily forces dirt or water contained in the air supply into motor bearings causing early failure. It often scores the cylinder walls and the rotor blades resulting in limited efficiency and power. Our warranty obligation is contingent upon proper use of our tools and cannot apply to equipment which has been subjected to misuse such as unclean air, wet air or a lack of lubrication during the use of this tool.

One Year Warranty

Following the reasonable assumption that any inherent defect which might prevail in a product will become apparent to the user within one year from the date of purchase, all equipment of our manufacture is warranted against defects in workmanship and materials under normal use and service. We shall repair or replace at our factory, any equipment or part thereof which shall, within one year after delivery to the original purchaser, indicate upon our examination to have been defective. Our obligation is contingent upon proper use of Dynabrade tools in accordance with factory recommendations, instructions and safety practices. It shall not apply to equipment which has been subject to misuse, negligence, accident or tampering in any way so as to affect its normal performance. Normally wearable parts such as bearings, contact wheels, rotor blades, etc., are not covered under this warranty.

Abrasive Belt and Contact Arm Assembly Change / Housing Angle Adjustment

To Change Abrasive Belts:

1. Disconnect the tool from the power source.
2. Loosen the **15329** Captive Screw and remove the **15312** Guard Assembly.
3. Pull back the **15306** Tension Arm and remove the abrasive belt.
4. Install a new abrasive belt, and the **15312** Guard Assembly.
5. Connect the tool to the power source and adjust the belt tracking by turning the **95218** Knob.

To Change Contact Arm Assemblies:

1. Disconnect the tool from the power source.
2. Loosen the **15329** Captive Screw and remove the **15312** Guard Assembly.
3. Pull back the **15306** Tension Arm and remove the abrasive belt.
4. Loosen the **95218** Knob to remove the contact arm assembly.
5. Install the desired contact arm assembly so that the tab on the end of the arm faces toward the **15306** Tension Arm.
6. Fasten the contact arm assembly in place with the **95218** Knob.
7. Install a new abrasive belt, and the **15312** Guard Assembly.
8. Connect the tool to the power source and adjust the belt tracking by turning the **95218** Knob.

Housing Angle Adjustment:

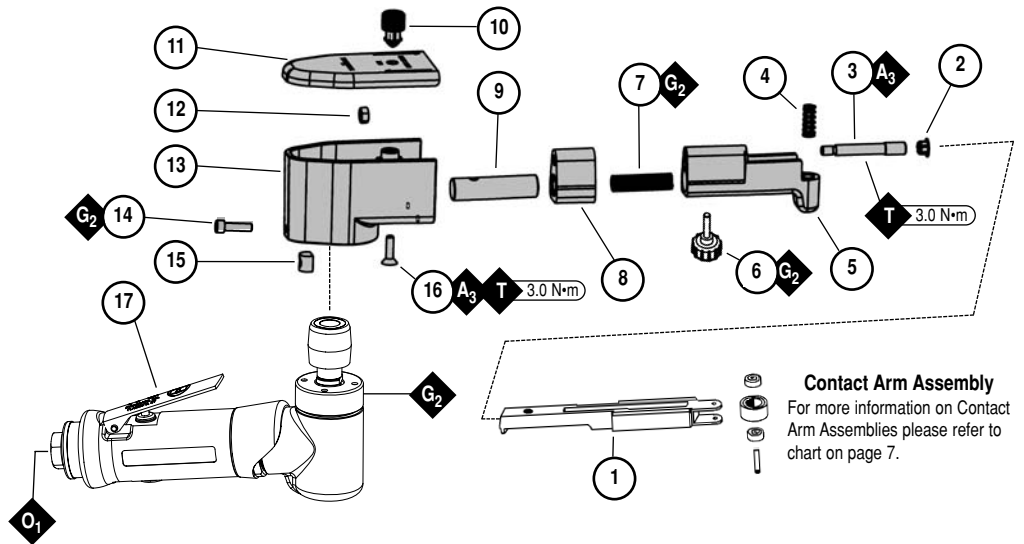
1. To pivot the belt housing assembly, use a 3mm hex key to loosen the **95311** Motor Lock Screw.
2. Pivot the housing assembly and fasten it to the desired position.

Index Key

No.	Part #	Description
1	11203	Contact Arm Assembly
2	96334	Plug
3	15308	Guide Post
4	11040	Spring
5	15306	Tension Arm
6	95218	Knob
7	95426	Spring
8	15309	Dust Cover
9	15307	Tension Shaft
10	15329	Captive Screw
11	15312	Belt Guard Assembly (Includes: 15329 Captive Screw)
12	96335	Hex Nut
13	40412	Housing - Mdl. 40352
	40415	Housing - Mdl. 40353
14	95311	Screw
15	40029	Motor Lock
16	95217	Screw
17	05036	Air Motor Assembly - 40352
	05037	Air Motor Assembly - 40353
18	15352	Drive Wheel - 40352
	40375	Drive Wheel - 40353
19	04116	Exhaust Cover
20	15111	Silencer
21	01580	Felt Ring
22	04117	Rotor Nut
23	02649	Bearing
24	54529	Shim Pack (3/Pkg)
25	01478	Front Bearing Plate
26	50767	Pin (2)
27	01479	Spacer
28	40376	Rotor
29	01480	Blade Set (4/pkg.)
30	01476	Cylinder
31	02673	Rear Bearing Plate
32	02696	Bearing
33	02679	Shield
34	01546	Housing
35	01548	Gasket
36	01461	Lock Nut
37	01558	Collar
38	95523	O-Ring
39	01470	Insert
40	01448	Throttle Lever
	01462	Safety Lock Lever
41	12132	Pin
42	95558	Retaining Ring
43	40300	Housing - 40352
	40301	Housing - 40353
44	01449	Valve Stem
45	95730	O-Ring
46	01024	O-Ring
47	01469	Speed Regulator Assembly (Includes O-Rings)
48	01464	Seal
49	01472	Tip Valve
50	01468	Spring
51	01683	Air Control Ring
52	01564	Spacer
53	95711	Retaining Ring
54	01486	Felt Silencer (4)
55	96065	O-Ring
56	01446	Air Deflector
57	95620	Retaining Ring
58	01578	Inlet Adapter
59	94535	Muffler Assembly

0.4hp Dynafile® II

Complete Assembly Breakdown

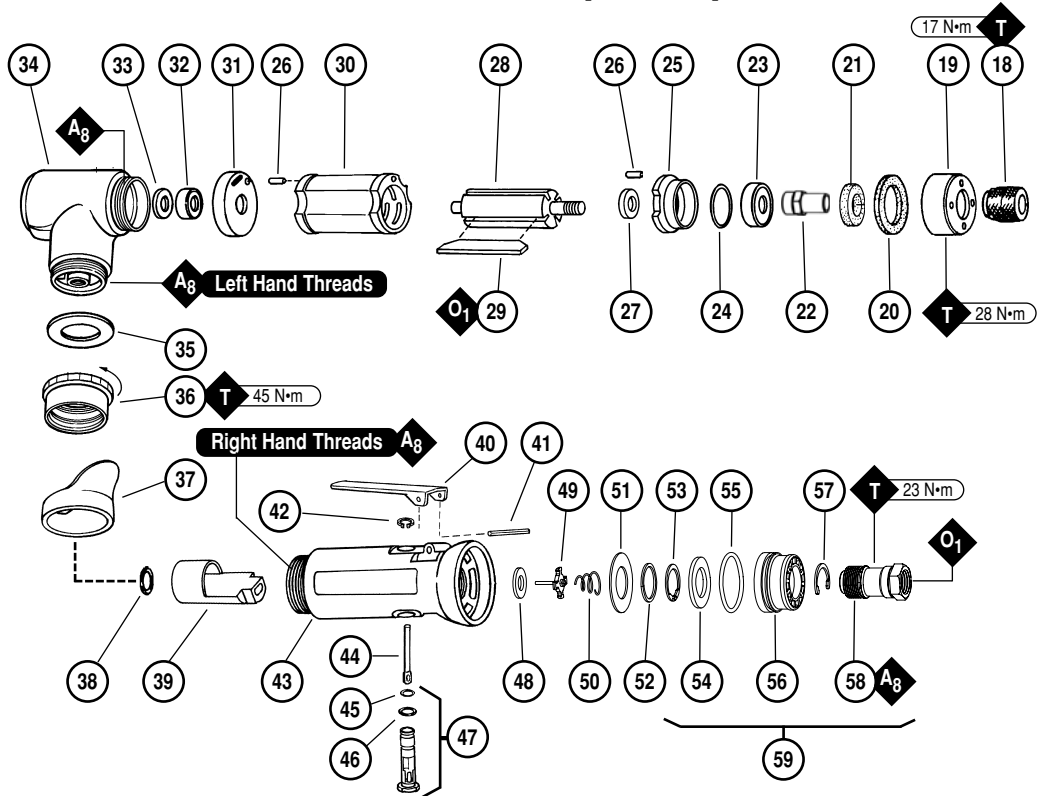


Contact Arm Assembly
For more information on Contact Arm Assemblies please refer to chart on page 7.

Shaded parts represent: 40413 Housing Assembly for Model 40352
40416 Housing Assembly for Model 40353

05036 Air Motor (Standard)

05037 Air Motor ("NWN")



Symbol	Description
O	Oil: O ₁ = Air Lube
A	Adhesive: A ₃ = Loctite #242 A ₈ = Loctite #567
T	Torque: N·m x 8.85 = In. - lbs.
G	Grease: G ₂ = Loctite #771

Disassembly/Assembly Instructions - 0.4hp Dynafire® II

Important: The Manufacturing Warranty is void if the tool is disassembled before the warranty expires, by anyone other than a Dynabrade® Approved Repair Technician.

Notice: A 96074 Motor Tune-Up Kit is available. Also, the special repair tooling referred to in these instructions can be ordered through your Dynabrade® Distributor. Please refer to this tool manual for correct part number identification.

Important: Always follow these steps before servicing any part of this air tool.

1. Shut off the air supply, and depress throttle lever to dissipate the remaining air. Carefully disconnect the tool from the air supply hose.
Note: Use a wrench to hold the air tool inlet adapter stationary when removing the air supply connection.
2. Remove the belt guard, abrasive belt and contact arm assembly. Use a 9/64" hex key to loosen the 95311 Screw and remove the belt housing assembly from the air motor.

Motor Disassembly:

1. Place the 52296 Repair Collar around the valve housing and fasten in a vise so that the drive wheel is pointing up.
2. Use the 96076 (12mm) wrench to hold the 04117 Rotor Nut stationary. Remove the drive wheel by turning it counterclockwise.
3. Use the 50971 Lock Ring Tool or an adjustable 3mm pin spanner wrench to remove the 04116 Exhaust Cover by turning it counterclockwise. Remove the felt silencer.
4. Carefully pull the air motor out of the motor housing. Remove the 02679 Shield.
5. Fasten the 96346 2" Bearing Separator around the portion of the 01476 Cylinder that is closest to the 02673 Rear Bearing Plate. Place the bearing separator on the table of the 96232 #2 Arbor Press so that the drive wheel is pointing down. Use a 3/16" or 5mm diameter flat end drive punch as a press tool and push the rotor out of the 02696 Rear Bearing. Use the 96210 Bearing Removal Tool and the arbor press to remove the 02696 Bearing from the rear bearing plate.
6. Fasten the vane slot portion of the rotor in a vise with aluminum or bronze jaws so that the drive wheel is pointing up.
7. Remove the 04117 Rotor Nut with a 96076 (12mm) wrench by turning it counterclockwise.
8. Remove the front bearing/plate/shims and 01479 Spacer.

Motor Disassembly Complete.

Valve Disassembly:

1. Position the 52296 Repair Collar around the valve housing and fasten the tool in a vise so that the 01578 Inlet Adapter is pointing up.
2. Remove the 01578 Inlet Adapter by turning it counterclockwise. **Note:** Refer to the exploded view for the correct order when disassembling the 94535 Muffler.
3. Use needle nose pliers to remove the 01468 Spring and the 01472 Tip Valve. Use a small screwdriver to remove the 01464 Seal.
4. Position the valve housing so that the 12132 Pin, throttle lever, and 01449 Valve Stem can be removed.
5. Use retaining ring pliers to remove the 95558 Retaining Ring and then push the 01469 Speed Regulator Assembly out of the valve housing.

Valve Disassembly Complete.

Important: Clean and inspect all parts for wear before assembling. Note: Follow all lubrication, adhesive, and torque specifications.

Valve Assembly:

1. Install the 01469 Speed Regulator Assembly (with o-rings) into the valve housing and hold it in place with the 95558 Retaining Ring.
2. Position the 52296 Repair Collar around the valve housing and fasten the tool in a vise so that the 12132 Pin, throttle lever, and 01449 Valve Stem can be installed.
3. Position the 52296 Repair Collar around the valve housing and fasten the tool in a vise so that the air inlet opening is pointing up.
4. Install the 01464 Seal into the valve housing so that it is laying flat.
5. Use needle nose pliers to install the 01472 Tip Valve so that the metal pin passes through the hole in the 01449 Valve Stem.
6. Install the 01468 Spring so that the smaller end of the spring fits against the back of the tip valve.
7. Refer to the exploded view for the correct order when assembling the 94535 Muffler.
8. Install the 01564 Spacer, then the 01683 Air Control Ring onto the 01578 Inlet Adapter, apply a small amount of the Loctite® #567 (or equivalent) to the external threads of the inlet adapter. Install the inlet adapter and the spacer onto the valve housing. (Torque to 23N·m/200 in. lbs.)
9. Hold the 01578 Inlet Adapter stationary with a wrench when attaching or installing the air supply connection.

Valve Assembly Complete.

Motor Assembly:

1. Install the 01479 Spacer onto the rotor.
2. Select .003" (.08mm) thickness shims from the 54529 Shim Pack and install these into the 01478 Front Bearing Plate.
3. Install the 02649 Bearing into the front bearing plate.
4. Position the rotor in a vise with aluminum or bronze jaws so that the rotor spindle is pointing up. Install the front bearing/plate/shims onto the rotor.
5. Install the 01580 Felt Ring around the rotor spindle. Install 04117 Rotor Nut onto the rotor. (Torque to 17N·m/150 in. lbs.) Remove the assembly from the vise.
6. Use a .001" (0.3mm) thick feeler gauge to check the clearance between the front bearing plate and the face of the rotor.
7. The clearance should be .001"-.0015" (0.3-0.4mm). **Note:** If the clearance needs adjustment repeat steps 2-6 adding or removing shims as required.
8. Lubricate the 01480 Blades (4) with the 95842 Dynabrade Air Lube 10W/NR (or equivalent) and install these into the rotor.
9. Install the 01476 Cylinder over the rotor so that the air inlet opening of the cylinder will line up with the air inlet opening in the 02673 Rear Bearing Plate.
10. Use the raised outer diameter of the 96216 Bearing Press Tool and the 96232 #2 Arbor Press to install the 02696 Bearing into the 02673 Rear Bearing Plate.
11. Use the raised inner diameter of the 96216 Bearing Press Tool and the arbor press to install the rear bearing/plate onto the rotor.
Note: Carefully press the bearing/plate down until it just touches the cylinder. This will establish a snug fit between the bearing plates and the cylinder.
12. Apply a small amount of petroleum lubricant onto the seal of the 02696 Bearing and install the 02679 Shield so that it will stick against seal of the bearing.
13. Carefully slide the motor assembly into the 01546 Housing.
14. Install the 15111 Silencer into the 04116 Exhaust Cover. Apply a small amount of the Loctite® #567 (or equivalent) to the 01546 Housing. Use the 50971 Lock Ring Tool or an adjustable 3mm pin spanner wrench to fasten the 04116 Exhaust Cover onto the housing. (Torque to 28N·m/250 in. lbs.)
15. Install the drive wheel. (Torque to 17N·m/150 in. lbs.)

Motor Assembly Complete.

Throttle Positioning Procedure:

Important: Carefully perform this procedure with out separating the 01546 Housing from the valve housing. Loosen the 01461 Lock Nut only enough to make the desired throttle lever adjustment.

1. Place the 52296 Repair Collar around the valve housing and fasten it in a vise so that the 01546 Housing is pointing up.
2. Slip the 01558 Collar down onto the valve housing to expose the 01461 Lock Nut.
3. With a firm hold on the 01546 Housing use a 34mm or an adjustable wrench to turn the lock nut clockwise to loosen the 01546 Housing from the valve housing.
4. Orient the throttle lever to the operators desired grip and positioning. **Note:** Allow for additional rotation of the 01546 Housing as the 01461 Lock Nut is tightened.

(continued on next page)

- Grasp the **01546** Housing firmly to reduce it rotation. Use a 34mm or an adjustable wrench to tighten the **01461** Lock Nut. (Torque to 45 N•m/400 in. lbs.)
- Slip the **01558** Collar back over the **01461** Lock Nut.

Note: The throttle lever is preset at the factory to the 11:00 position in relation to viewing the drive wheel in the 12:00 position.

Throttle Positioning Procedure Complete.

Final Assembly:

- Install the Belt Housing Assembly onto the air motor and use a 9/64" hex key to tighten the motor lock screw. Install the contact arm assembly, abrasive belt and **15312** Belt Guard.
- With the air supply shut off, carefully connect the tool to the air supply hose.

Note: Use a wrench to hold the air tool inlet adapter stationary when install the air supply connection.

Final Assembly Complete. Tool Assembly Complete.

Please allow 30 minutes for the adhesives to cure before operating tool.

Important: The motor should be tested for proper operation. Apply 3 Drops of the **95842** Dynabrade Air Lube 10W/NR (or equivalent) into the air inlet adapter with the throttle lever depressed. Carefully connect the tool to an air supply. The tool should operate within 10% of the maximum rated RPM. The tool RPM should not exceed the maximum rated RPM with an operating air supply pressure of 90 PSIG (6.2 bar g).

Preventative Maintenance Schedule

For All 0.4hp Dynafite® II Models

This service chart is published as a guide to expectant life of component parts. The replacement levels are based on average tool usage over one year. Dynabrade Inc. considers one year usage to be 1,000 hours.

LEGEND	
T	Included in Tune-Up Kit
X	Type of wear, no other comments apply.
L	Easily lost. Care during assembly/disassembly.
D	Easily damaged during assembly/disassembly.
R	Replace each time tool is disassembled.



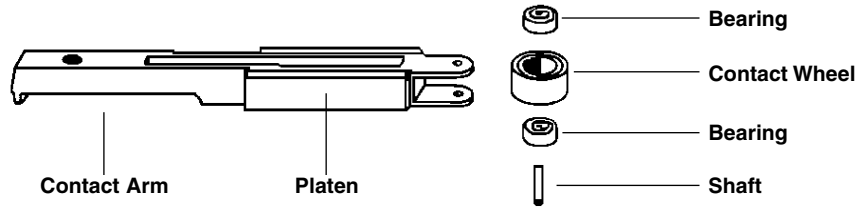
96074 – Motor Tune-Up Kit

Note: Please refer to pages 4 of tool manual for specific part number.

Index #	Part Number	Description	Number Required	High Wear 100%	Medium Wear 70%	Low Wear 30%	Non-Wear 10%
1	11203	Contact Arm Assembly	1	N/A	N/A	N/A	N/A
2	96334	Plug	1	N/A	N/A	N/A	N/A
3	15308	Guide Post	1	N/A	N/A	N/A	N/A
4	11040	Spring	1	N/A	N/A	N/A	N/A
5	15306	Tension Arm	1	N/A	N/A	N/A	N/A
6	95218	Knob	1	N/A	N/A	N/A	N/A
7	95426	Spring	1	N/A	N/A	N/A	N/A
8	15309	Dust Cover	1	N/A	N/A	N/A	N/A
9	15307	Tension Shaft	1	N/A	N/A	N/A	N/A
10	15329	Captive Screw	1			D	
11	15312	Belt Guard Assembly	1				L
12	96335	Hex Nut	1	N/A	N/A	N/A	N/A
13	See Note	Housing	1	N/A	N/A	N/A	N/A
14	95311	Screw	1	N/A	N/A	N/A	N/A
15	40029	Motor Lock	1	N/A	N/A	N/A	N/A
16	95217	Screw	1	N/A	N/A	N/A	N/A
17	See Note	Air Motor Assembly	1	N/A	N/A	N/A	N/A
18	See Note	Drive Wheel	1		X		
19	04116	Exhaust Cover	1				X
20	15111	Silencer	1	T			
21	01580	Felt Ring	1	T			
22	04117	Rotor Nut	1				X
23	02649	Bearing	1		T		
24	54529	Shim Pack (4/Pkg)	1		T		
25	01478	Front Bearing Plate	1			X	
26	50767	Pin	2				X
27	01479	Spacer	1				X
28	40376	Rotor	1			X	
29	01480	Blades (4/Pkg)	1	T			
30	01476	Cylinder	1			X	
31	02673	Rear Bearing Plate	1			X	
32	02696	Bearing	1		T		
33	02679	Shield	1				L
34	01546	Housing	1				X
35	01548	Gasket	1		T		
36	01461	Lock Nut	1				X
37	01558	Collar	1			X	
38	95523	O-Ring	1		T		
39	01470	Insert	1				X
40	See Note	Throttle Lever	1				X
41	12132	Pin	1		T		
42	95558	Retaining Ring	1		T		
43	See Note	Housing	1				X
44	01449	Valve Stem	1		T		
45	95730	O-Ring	1		T		
46	01024	O-Ring	1		T		
47	01469	Speed Regulator Assembly	1		T		
48	01464	Seal	1		T		
49	01472	Tip Valve	1		T		
50	01468	Spring	1		T		
51	01683	Air Control Ring	1			L	
52	01564	Spacer	1			L	
53	95711	Retaining Ring	1		T		
54	01486	Felt Silencer	4	T			
55	96065	O-Ring	1		T		
56	01446	Air Deflector	1			X	
57	95620	Retaining Ring	1		T		
58	01578	Inlet Adapter	1				X

0.4hp Dynafile® II Contact Arm Assemblies

Contact Wheel Assembly—Includes wheel, bearing and shaft.



0.4hp Dynafile® II Standard Contact Arms							
Part Number	Abrasive Belt Size	Contact Wheel Description	Comments	Contact Wheel Assembly	Contact Wheel Only	Bearing (2) Req.	Shaft
11200	1/2" x 18"	5/8" Dia. x 3/8" W Rubber	"Stroke-Sander" Arm; 1/2" W Platen	11088 (2)	11077 (2)	11052 (4)	11055 (2)
11202	1/4" x 18"	5/8" Dia. x 1/8" W Rubber	1/4" W Platen	11074	11073	11052	11053
11203	1/2" x 18"	5/8" Dia. x 3/8" W Rubber	1/2" W Platen	11078	11077	11052	11054
11204	1/4" or 1/2" x 18"	1" Dia. x 3/8" W Radiused Rubber	Loose Belt Application	11080	11079	11052	11054
11206	5/8" or 3/4" x 18"	3/4" Dia. x 5/8" W Rubber	3/4" W Platen	11282	11281	11052	11285
11280	1/4" x 18"	1" Dia. x 3/8" W Tapered Urethane	No Platen/Offset Design	11086	11085	11052	11054
11286	1/2" x 24"	5/8" Dia. x 3/8" W Rubber	1/2" W Platen	11078	11077	11052	11054
11287	5/8" or 3/4" x 20-1/2"	3/4" Dia. x 5/8" W Rubber	3/4" W Platen	11282	11281	11052	11285
11304	1/2" x 18"	5/8" Dia. x 3/8" W Rubber	"Stroke-Sander" Arm-1/2" W Platen	11078	11077	11052	11054
11312	1/2" x 18"	5/8" Dia. x 3/8" W Rubber	H.D. Version of 11203 Arm	11078	11077	11052	11054
11320	1/2" x 18"	5/8" Dia. x 3/8" W Rubber	"Offset Arm" – prevent gouging.	11078	11077	11052	11054
11322	1/2" x 18"	5/8" Dia. x 3/8" W Rubber	Contains two 11395 Guide Wheels – Prevents Undercutting	11090	11077	11052	95610
11325	1/2" x 18"	5/8" Dia. x 3/8" W Rubber	1/2" W Steel Platen	11078	11077	11052	11054
11326	5/8" or 3/4" x 18"	3/4" Dia. x 5/8" W Rubber	H.D. Version of 11206 Arm	11282	11281	11052	11285
11329	1/2" x 44"	5/8" Dia. x 3/8" W Rubber	1/2" W Platen/17" Reach	11078	11077	11052	11054
11360	1/2" x 18"	5/8" Dia. x 3/8" W Rubber	No Platen/Offset Design	11078	11077	11052	11054

Dynapad® Platen Pads

Soft
For deburring and polishing contoured pieces.
11025 – 1/2" W x 7" L x 1/8" Thk. – 5/pkg.
11119 – 3/4" W x 7" L x 1/8" Thk. – 5/pkg.

Hard
For heavy deburring and polishing.
11026 – 1/2" W x 7" L x 1/8" Thk. – 5/pkg.
11109 – 3/4" W x 7" L x 1/8" Thk. – 5/pkg.

Thin
For aggressive grinding.
11027 – 1/2" W x 7" L x 1/32" Thk. – 5/pkg.
11129 – 3/4" W x 7" L x 1/32" Thk. – 5/pkg.

Metal
For flat grinding and heavy stock removal; bolts to contact arm.
11024 – 1/2" W x 3" L (for Dynafile I | 111286 Arm only)

Abrasive Impregnated Non-Woven Nylon

18" Long/Unit = 12 Belts			
Grit	1/4" W	1/2" W	3/4" W
Super fine	90158	90159	90161
Very fine	90228	90248	90258
Medium	90229	90292	90294
Coarse	–	90297	90299

24" Long/Unit = 12 Belts		
Grit	1/4" W	1/2" W
Super fine	90397	90398
Very fine	90403	90400
Medium	90433	90434
Coarse	90460	90461

Coated Abrasives

For more information please refer to chart(s) on page 8.

Optional Accessories

FIND THE MOST CURRENT OFFERING OF SUPPORT DOCUMENTS AND ACCESSORIES @ WWW.DYNABRADE.COM



Composite Dynaswivel®

Swivels 360° at two locations which allows an air hose to drop straight to the floor, no matter how the tool is held.

- 94300: 1/4" NPT.



50971 Lock Ring Tool

- Lock Ring Tool has a 3/8 in. square socket for use with 3/8 in. drive; breaker bar, ratchet head, or torque wrenches.



96216 Bearing Press Tool

- This tool is designed to safely press a bearing into a bearing plate and onto a shaft.



11288 Dynaflex Contact Arm and Idler Wheel Repair Kit

- Contains special tools to assist in the replacement of contact wheels and bearings.



94994 Over Hose Assembly

- Over Hose Assembly directs exhaust away from operator.



96074 Motor Tune-Up Kit:

- Includes assorted parts to help maintain and repair motor.

01253 Drop-In Motor

- Allows quick and easy replacement. No motor adjustments needed.

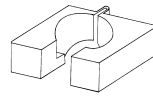


Dynabrade Air Lube

- Formulated for pneumatic equipment.
- Absorbs up to 10% of its weight in water.
- Prevents rust and formation of sludge.
- Keeps pneumatic tools operating longer with greater power and less down time.

95842: 1pt. (473 ml)

95843: 1 gal. (3.8 L)



52296 Repair Collar

- Specially designed collar for use in vise to prevent damage to valve body of tool during disassembly/assembly.



96210 Bearing Removal Tool

- This tool is designed to pass through the I.D. of the bearing plate and push against the I.D. of the bearing.

Abrasives

Coated Aluminum Oxide

18" Long/Unit = 200 Belts					24" Long/Unit = 200 Belts		
Grit	1/4" W	1/2" W	5/8" W	3/4" W	Grit	1/4" W	1/2" W
40	90220	90240	90260	90250	40	90415	90441
60	90221	90241	90261	90251	60	90417	90443
80	90222	90242	90262	90252	80	90419	90445
120	90223	90243	90263	90253	100	90420	90446
180	90224	90244	90264	90254	120	90421	90447
220	90225	90245	90265	90255	180	90423	90449
320	90226	90246	90266	90256	220	90424	90451
500	90227	90247	90267	90257	320	90425	90453
20-1/2" Long/Unit = 200 Belts					500	90426	90455
Grit	1/4" W	1/2" W	5/8" W	3/4" W			
60	90303	90317	90341	90331			
80	90304	90318	90342	90332			
120	90305	90319	90343	90333			

Coated Aluminum Zirconia

18" Long/Unit = 200 Belts				
Grit	1/4" W	1/2" W	5/8" W	3/4" W
60	90166	90168	90170	90172
80	90167	90169	90171	90173
24" Long/Unit = 200 Belts				
Grit	1/4" W	1/2" W		
60	90577	90579		
80	90582	90583		
24" Long Silicon Carbide/Unit = 200 Belts				
Grit	1/4" W	1/2" W		
60	90563	90567		
80	90564	90568		

Non-Woven Nylon Abrasives

For more information please refer to chart(s) on page 7.

Reference Contact Information

1. American National Safety Institute – ANSI

25 West 43rd Street
Fourth Floor
New York, NY 10036
Tel: 1 (212) 642-4900
Fax: 1 (212) 398-0023

2. Government Printing Office – GPO

Superintendent of Documents
Attn. New Orders
P.O. Box 371954
Pittsburgh, PA 15250-7954
Tel: 1 (202) 512-1803

3. European Committee for Standardization

Rue de Stassart 36
B - 1050 Brussels, Belgium

Visit Our Web Site: www.dynabrade.com

Email: Customer.Service@Dynabrade.com



DYNABRADE, INC., 8989 Sheridan Drive • Clarence, NY 14031-1490 • Phone: (716) 631-0100 • Fax: 716-631-2073 • International Fax: 716-631-2524
DYNABRADE EUROPE S.à.r.l., Zone Artisanale • L-5485 Wormeldange—Haut, Luxembourg • Telephone: 352 76 84 94 1 • Fax: 352 76 84 95 1