

Parts Manual  
PL30-2015EN  
12/02/2014

**DOTCO®**

**21L1341 Series**  
Inline Vent Trimmer



*For additional product information visit our website at <http://www.apextoolgroup.com>*

**Dotco®**  
Nomenclature

Model	Includes (Illustration "B")		
	Drive Pinion	Bearing (2)	Vent Trimmer Assembly
21L1341-40	14-1188	02-1206	-----
21L1341-90	14-1188	02-1206	14-1206B

## Description and Instructions

**Language Version:**

This Parts Manual is the *“Original Instructions”* intended for all persons who will use or repair these tools.

**Noise and Vibration:**

Refer to documents CE-1013DC and CE-1013TD.

**General Description:**

Air powered inline vent trimmer.

**Intended Use:**

This vent trimmer is intended for material removal applications. Use only for it's designated purpose. Do not use as a hammer, lever or other improper usage that can cause tool damage and operator injury.

**Copyright protection:**

Apex Tool Group, LLC reserves the right to modify, supplement or improve this document or the product without prior notice. This document may not be reproduced in any way, shape or form, in full or parts thereof, or copied to another natural or machine readable language or to a data carrier, whether electronic, mechanical, optical or otherwise without the express permission of Apex Tool Group, LLC.

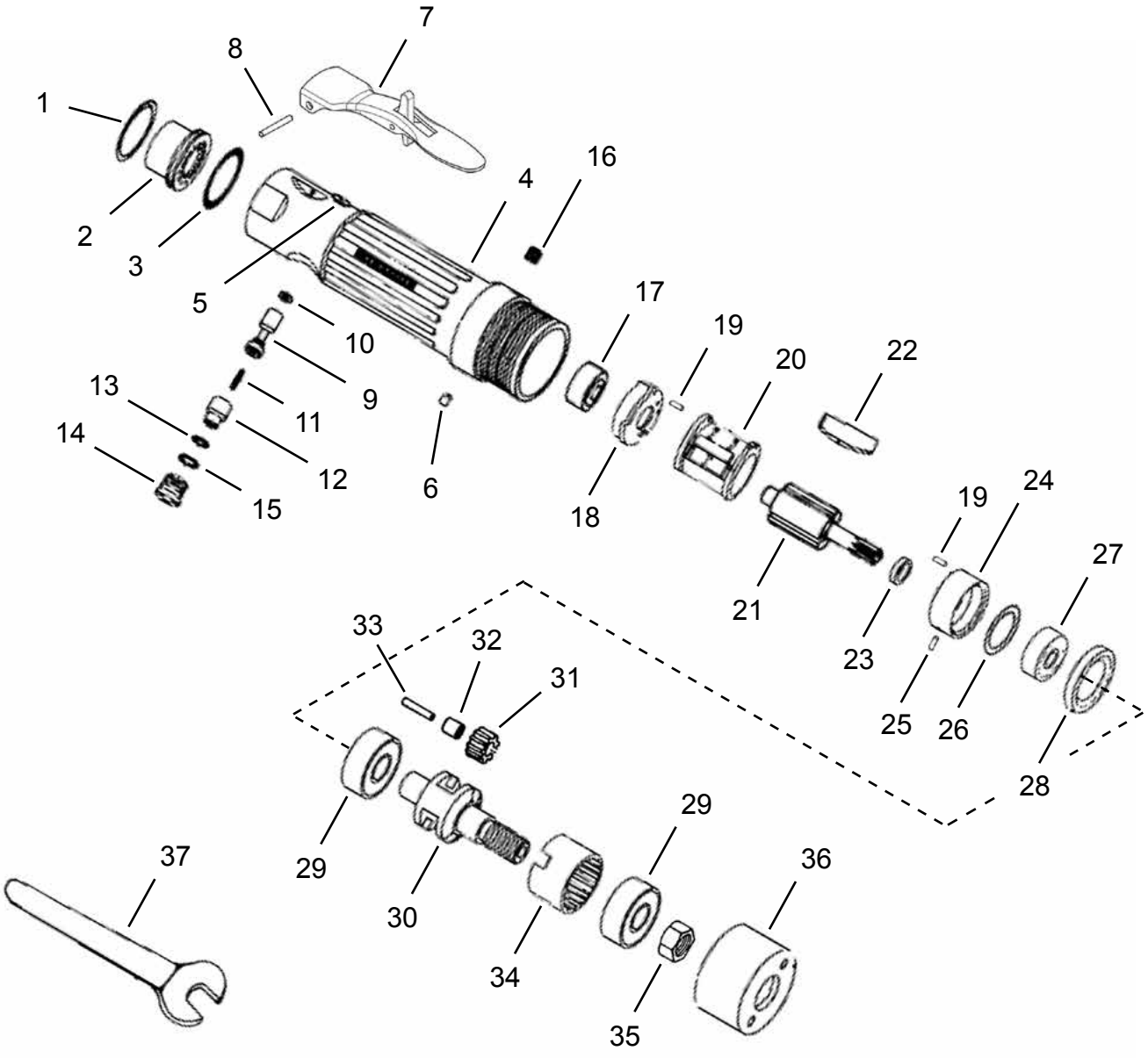
**General Safety:**

Refer to General Safety document, CE-2013 for general safety operating instructions for this equipment.

**Lubrication:**

Refer to lubrication document, PL65-LUB, for general lubrication instructions.

“A”



**Dotco®**  
Motor and Gearing

**PL30-2015EN**  
12/02/2014

**Illustration "A"**

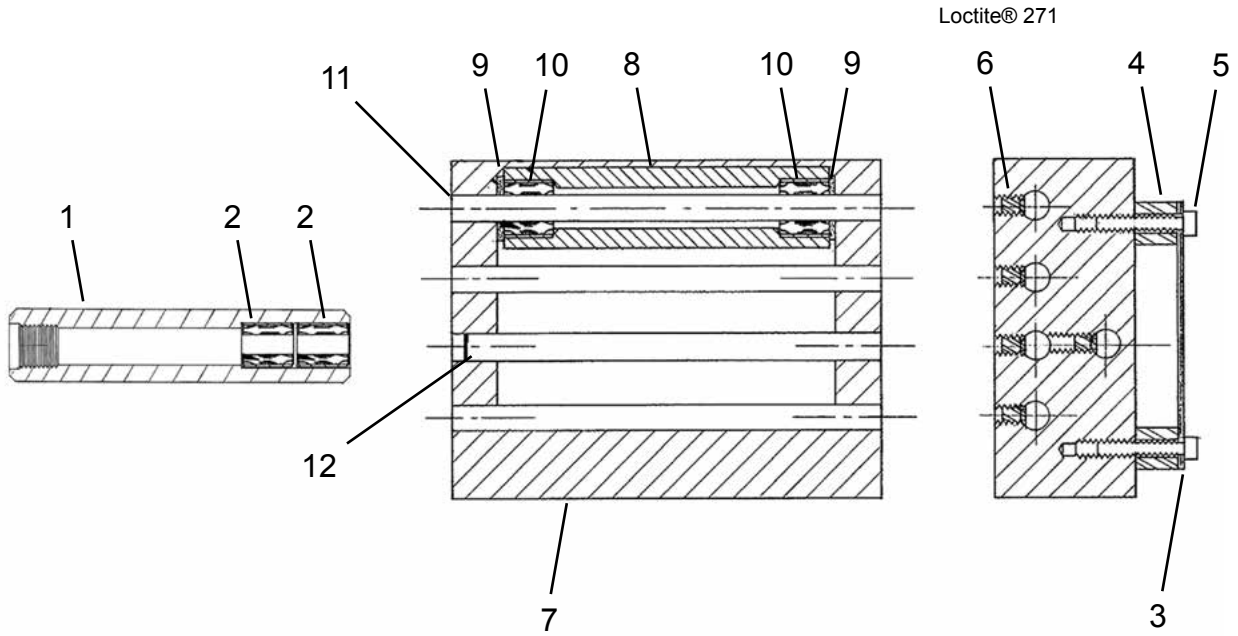
Ref	Number	#	X	EN
				Description
1	1891PT	1	2	Retaining Ring
2	1899PT	1	2	Muffler
3	1322PT	1	3	O-Ring
4	1533S	1		Motor Housing (includes Ref. 5-6)
5	1007S	1		Valve Bushing
6	1463PT	1		Grease Fitting
7	01-1267	1	1	Throttle Lever Assembly
8	1042	1	2	Throttle Lever Pin
9	1008PT	1		Valve Stem (includes Ref. 10)
10	1052PT	1	3	Valve Stem O-Ring
11	2015PT	1	3	Valve Spring
12	1011PT	1		Speed Regulator (includes Ref. 13)
13	1056PT	1	3	Speed Regulator O-Ring
14	1012PT	1		Plug Assembly (includes Ref. 15)
15	1057PT	1	3	Plug O-Ring
16	2831	1	2	Set Screw
17	504PT	1	2	Ball Bearing
18	1204	1		Rear Bearing Plate (includes 1 Ref. 19)
19	1041	2	4	Locating Pin
20	1002PT	1		Cylinder
21	2912S	1		Rotor
22	1006PT	5	15	Rotor Blade
23	1017PT	1	1	Rotor Spacer
24	1531PT	1		Front Bearing Plate (includes 1 Ref. 19 and Ref. 25)
25	2964	1	2	Locating Pin
26	1355	1	1	Shim Packet
27	538PT	1	2	Ball Bearing
28	1563PT	1		Spacer
29	519	2	4	Ball Bearing
30	02-1114	1		Ouput Planetary Gear Cage
31	1536	2	4	Planetary Gear (includes Ref. 32)
32	1464	2	4	Planetary Gear Needle Bearing
33	1526PT	2	4	Planetary Gear Pin
34	1529PT	1		Ring Gear
35	1706PT	1	1	Lock Nut
36	1181	1		Lock Ring
37	14-0810	1		Wrench (5/8")

(#) Quantity

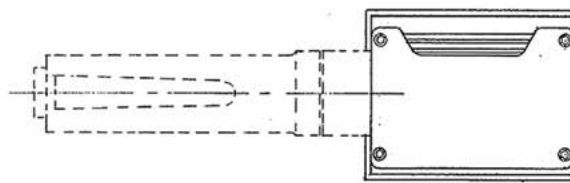
(X) Recommended Spare Parts (quantity shown based on 1-5 tools in operation)

# Dotco® Vent Trimmer Attachment

**“B”**



**Assembled View**



**Motor Assembly**

**Vent Trimmer**

**Dotco®**  
Vent Trimmer Attachment

**PL30-2015EN**  
12/02/2014

**Illustration "B"**

Ref	Number	#	X	EN
				Description
1	14-1188	1		Drive Pinion
2	02-1206	2	4	Needle Bearing
--	14-1206B	1		Vent Trimmer Assembly (includes Ref. 3-14)
3	14-1199	1		Guard Plate
4	14-1189	4		Guard Plate Spacer
5	14-1518	4		Guard Plate Screw (#8-32)
6	2831	5		Set Screw
7	14-1181	1		Trimmer Housing
8	14-1187	4		Pinion
9	1205PT	8		Pinion Washer
10	02-1206	8	16	Needle Bearing
11	14-1197	3		Pinion Shaft
12	14-1205	1		Shaft
13	02-1207	2	2	Socket Head Cap Screw (1/4-28) (not shown - mounts trimmer housing to 1181 lock ring)
14	14-1198	1		Drive Pinion Shaft (not shown - pressed into Ref. 7)

(#) Quantity

(X) Recommended Spare Parts (quantity shown based on 1-5 tools in operation)

## Sales & Service Centers

**Note:** All locations may not service all products. Please contact the nearest Sales & Service Center for the appropriate facility to handle your service requirements.

Brazil

**Apex Tool Group  
Ind. Com. Ferram. Ltda**  
Av. Liberdade, 4055  
Zona Industrial Iporanga  
Sorocaba, São Paulo  
CEP# 18087-170  
Brazil  
Tel: +55 15 3238 3820  
Fax: +55 15 3238 3938

Canada

**Apex Tool Group  
Sales & Service Center**  
7631 Bath Road  
Mississauga, Ont. L4T 3T1  
Canada  
Tel: (866) 691-6212  
Tel: (905) 673-4400

China

**Apex Power Tool Trading  
(Shanghai) Co., Ltd**  
Building A8, No. 38  
Dongsheng Road  
Pudong, Shanghai  
China 201201  
Tel: +86-21-60880320  
Fax: +86-21-60880298  
www.apxpowertools.com.cn

England

**Apex Tool Group  
GmbH & Co. OHG**  
C/O Spline Gauges  
Piccadilly, Tamworth  
Staffordshire B78 2ER  
United Kingdom  
Tel: +44 1827 872 771  
Fax: +44 1827 8741 28

France

**Apex Tool Group S.N.C.**  
25 rue Maurice Chevalier  
B.P. 28  
77831 Ozoir-La-Ferrière  
Cedex, France  
Tel: +33 1 64 43 22 00  
Fax: +33 1 64 43 17 17

Germany

**Apex Tool Group  
GmbH & Co. OHG**  
Industriestraße 1  
73463 Westhausen  
Germany  
Tel: +49 (0) 73 63 81 0  
Fax: +49 (0) 73 63 81 222  
www.apxpowertools.eu

Hungary

**Apex Tool Group  
Hungaria Kft**  
Platánfa u.2  
9027 Györ  
Hungary  
Tel: +36 96 66 1383  
Fax: +36 96 66 1135

India

**Apex Power Tools India  
Private Limited**  
Gala No. 1, Plot No. 5  
S. No. 234, 235 & 245  
Indialand Global  
Industrial Park  
Taluka-Mulsi, Phase I  
Hinjawadi, Pune 411057  
Maharashtra, India  
Tel: +91-20-66761111

Mexico

**Apex Tool Group  
Manufacturing México**  
S. de RL de CV  
Vialidad El Pueblito #103  
Parque Industrial Querétaro  
Querétaro, QRO  
CP# 76220  
Mexico  
Tel: +52 (442) 211-3800  
Fax: +52 (800) 685-5560

USA - Detroit, Michigan

**Apex Tool Group  
Sales & Service Center**  
2630 Superior Court  
Auburn Hills, MI 48326  
Tel: (248) 393-5640  
Fax: (248) 391-6295

USA - Lexington, South Carolina

**Apex Tool Group**  
670 Industrial Drive  
Lexington, SC 29072  
Tel: (800) 845-5629  
Tel: (803) 951-7544  
Fax: (803) 358-7681

USA - Los Angeles, California

**Apex Tool Group  
Sales & Service Center**  
6881 Stanton Avenue  
Unit B  
Buena Park, CA 90621  
Tel: (714) 994-1491  
Fax: (714) 994-9576

USA - Seattle, Washington

**Apex Tool Group  
Sales & Service Center**  
2865 152nd Avenue N.E  
Redmond, WA 98052  
Tel: (425) 497-0476  
Fax: (425) 497-0496

USA - York, Pennsylvania

**Apex Tool Group  
Sales & Service Center**  
3990 East Market Street  
York, PA 17402  
Tel: (717) 755-2933  
Fax: (717) 757-5063

Apex Tool Group, LLC  
1000 Lufkin Road  
Apex, NC 27539  
Phone: 919-387-0099  
Fax: 919-387-2614  
www.apextoolgroup.com

# DOTCO®