

Parts Manual
45-8439EN
PL31-14CF
01/31/2012

DOTCO[®]

14CF Series
Pistol Grip Drills



For additional product information visit our website at <http://www.apextoolgroup.com>

	14	C	F	S	XX	-	XX	NL
<u>Tool Series</u> 14 = Ergo Drill								
<u>Throttle Type</u> C = Throttle Actuated								
<u>Motor Size</u> F = 0.4 HP								
<u>Handle Style</u> S = Small Handle								
<u>Speed Options (RPM)</u> 90 = 29,000 91 = 5,200 92 = 3,800 93 = 3,200 94 = 2,400 95 = 1,000 96 = 700 97 = 600								
<u>Termination Code</u> 38 = 1/4" Jacobs Chuck (#1BA) 40 = No Chuck 42 = 1/4" Jacobs Chuck (#7BA) 43 = 3/8" Jacobs Chuck (#2BA) 47 = 3/8" Jacobs Chuck (#22BA) 51 = 3/8" Jacobs Chuck (#41BA) 53 = 1/2" Jacobs Chuck (#33B) 54 = 1/4" Internal Hex Slip Chuck 56 = Keyless Chuck								
<u>Blade Option (Extra Cost)</u> NL = Oil Less Blade								

Tool Termination Numbers (-XX):

The 14CF series tool model numbers are not complete without your choice of a drill chuck or no chuck. Following is the termination number, built into the model number, which must be selected before a tool can be ordered.

(-XX)

Tool Termination Number	Chuck Part Number	Chuck Capacity	Thread Mount	Chuck Type	Includes Chuck Key Part #	External Chuck Sleeve
38	1005078	0 - 1/4"	3/8"-24	1 BA	1005079	Smooth
40	No Chuck	NA	3/8"-24	N/A	N/A	N/A
42	1001505	0 - 1/4"	3/8"-24	7 BA	1005023	Fluted
43	1004422PT	0 - 3/8"	3/8"-24	2 BA	K2	Fluted
47	863420PT	0 - 3/8"	3/8"-24	22 BA	KG	Fluted
51	1001252	0 - 3/8"	3/8"-24	41 BA	1006375	Smooth
53	1009726	5/64" - 1/2"	3/8"-24	33 BA	1005022	Fluted
56	1110945	0 - 3/8"	3/8"-24	N/A	N/A	N/A

Description and Instructions

Language Version:

This Parts Manual is the ***“Original Instructions”*** intended for all persons who will use or repair these tools.

Product Identification:

Refer to the “Model Nomenclature” page in this document.

Noise and Vibration:

Refer to documents CE-1006DC and CE-1006TD.

Intended Use:

These air powered drills are intended for light duty drilling applications Use only for their designated purpose. Do not use as a hammer, lever or other improper usage that can cause tool damage and operator injury.

Copyright protection:

Apex Tool Group, LLC reserves the right to modify, supplement or improve this document or the product without prior notice. This document may not be reproduced in any way, shape or form, in full or parts thereof, or copied to another natural or machine readable language or to a data carrier, whether electronic, mechanical, optical or otherwise without the express permission of Apex Tool Group, LLC.

General Safety:

Refer to General Safety document, CE-2006 for general safety operating instructions for this equipment.

Lubrication:

Refer to lubrication document, PL65-LUB, for general lubrication instructions.

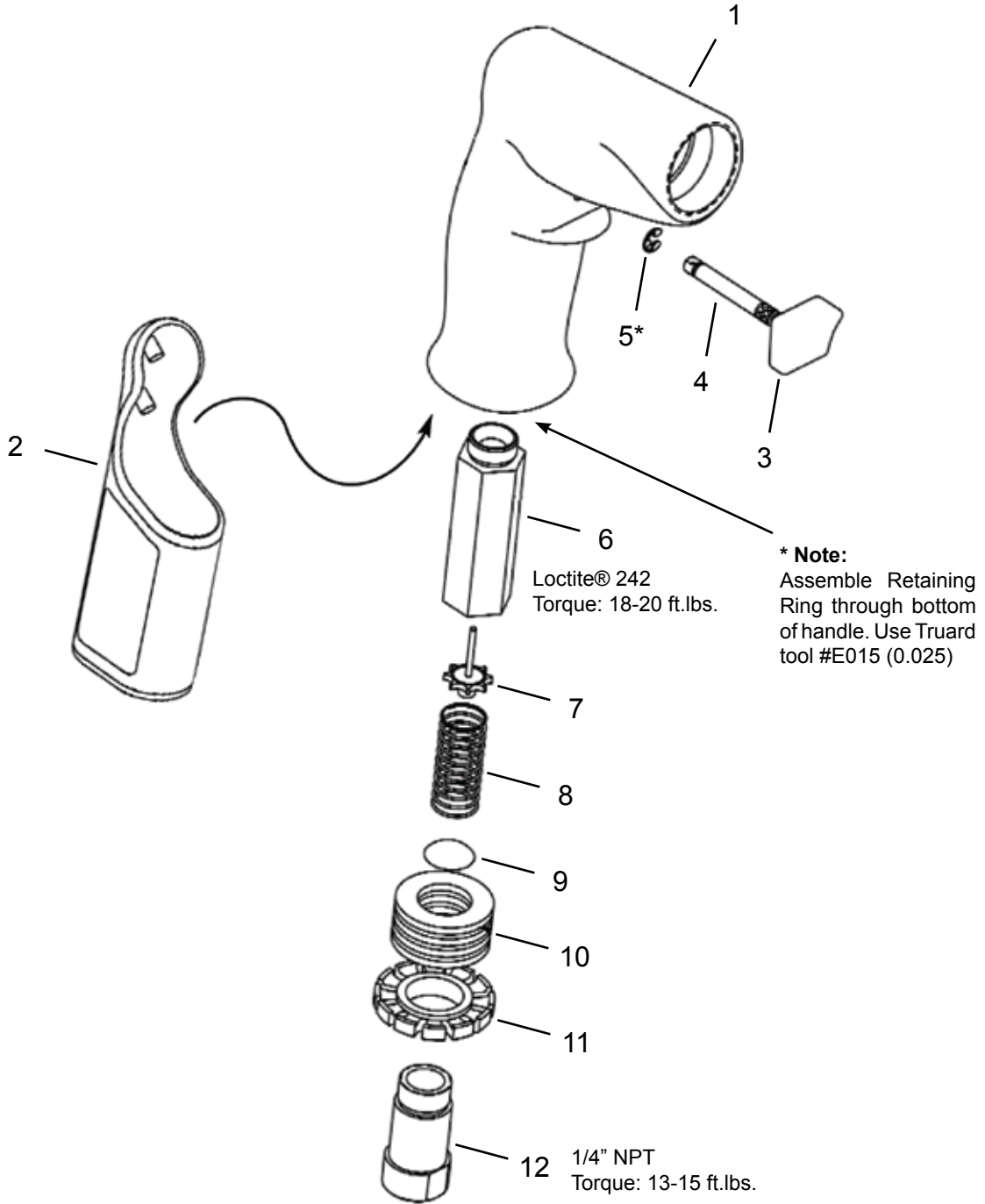
Gearing: When the gearing is cleaned or replaced, apply a thin coat of Molykote grade G lubricant. Only a small amount is necessary. An 8 ounce tube (540394) is available from Apex Tool Group.



Do not use substitutes for oil and grease. This could result in damage to the tool.

Dotco® Small Handle Assembly

“A”



Dotco®
Small Handle Assembly

45-8439EN
01/31/2012

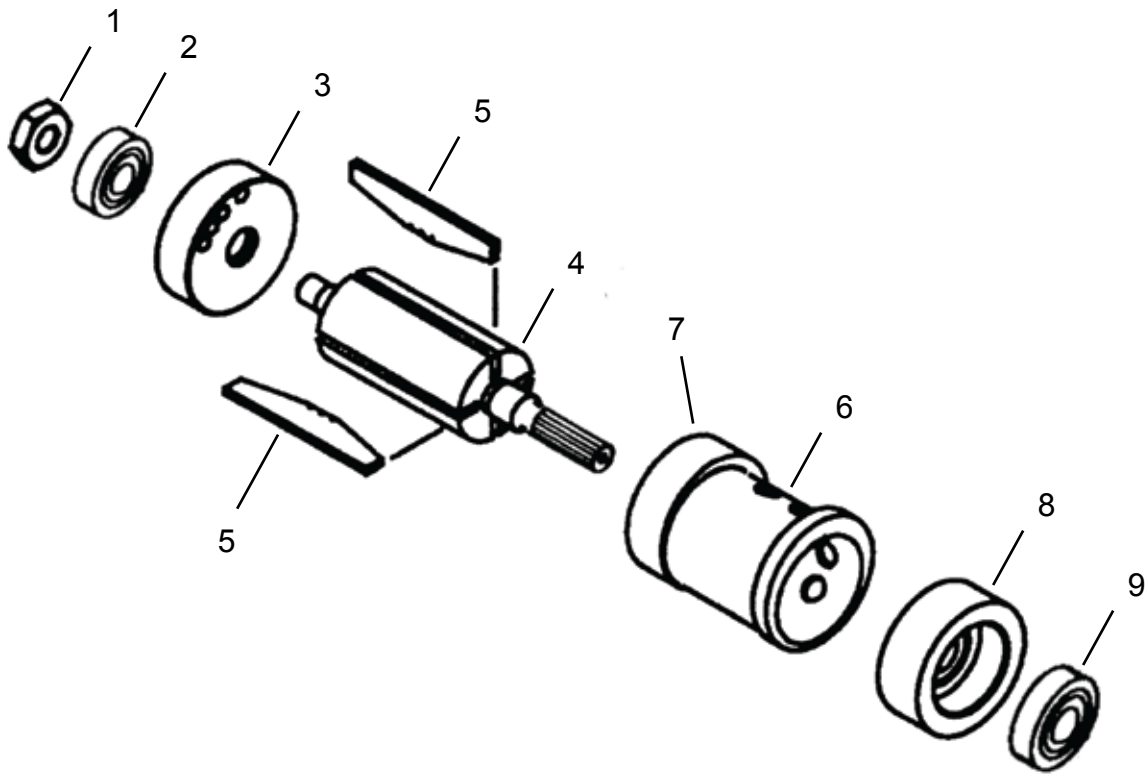
Illustration "A"

Ref	Number	#	X	EN
				Description
1	01-1201	1		Pistol Grip Handle Assembly (includes Ref. 2-12)
2	01-1202	1	1	Handle Sleeve
3	1110038	1		Trigger
4	1110077	1		Trigger Push Rod
5	1012024	1	2	Retaining Ring
6	01-1203	1		Valve Housing
7	01-2518	1	1	Tip Valve
8	1110079	1	3	Valve Spring
9	1006577	1	3	Screen
10	1110134	4	12	Muffler
11	1110892	1		Muffler Diffuser
12	1110078	1		Hose Adapter

(#) Quantity

(X) Recommended Spare Parts

“B”



Dotco®
Motor Assembly

45-8439EN
01/31/2012

Illustration "B"

Ref	Number	#	X	EN
				Description
--	Table "B"	1		Motor Assembly
1	1012215	1	2	Rotor Nut
2	1009879	1	2	Ball Bearing
3	1110072	1		Rear Plate
4	Table "B"	1		Rotor
5	1008914 *	4	12	Rotor Blade
6	1017579	1		Cylinder (includes Ref. 7)
7	1017422	1		Cylinder Pin
8	1008916	1		Front Plate
9	1007537	1	2	Ball Bearing

(#) Quantity

(X) Recommended Spare Parts

* Note: Oil Less Blades - 1019725 (indicated by "NL" in model code)

Table "B"

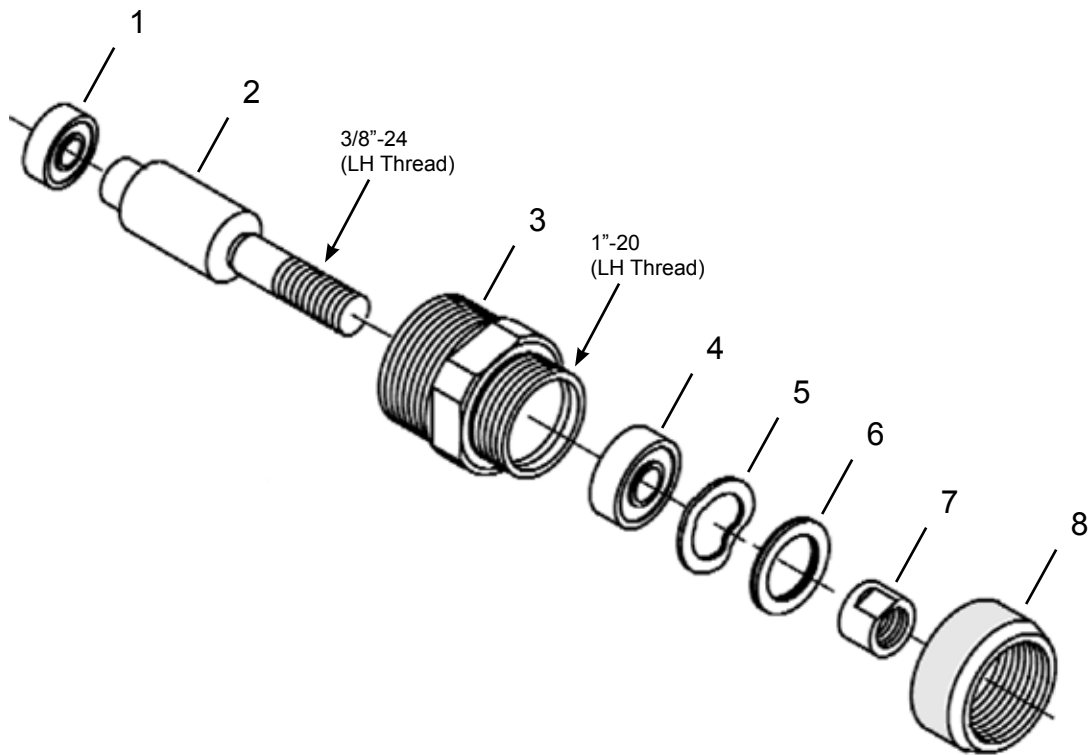
Ref.	Description	Speed Code									
		#	0	#	1 & 5	#	2 & 6	#	3 & 7	#	4
--	Motor Assembly	1	1025618	1	1015872	1	1025554	1	1025552	1	1025556
4	Rotor	1	1110122 (9T)	1	1015872 (9T)	1	1017518 (7T)	1	1017517 (6T)	1	1017516 (5T)

(T) Teeth

“C”

1025595: Nose Assembly

Models
14CFS90-XX



Dotco®
Nose Assembly

45-8439EN
01/31/2012

Illustration "C"

Ref	Number	#	X	EN
				Description
1	1005062	1	2	Ball Bearing
2	1110123	1		Spindle
3	1110119	1		Nose
4	1008854	1	2	Ball Bearing
5	1110127	1	1	Wave Washer
6	1008859	1	1	Retaining Ring
7	1110185	1	1	Spindle Nut
8	1110050	1		Thread Cover (not included in Nose Assembly)

(#) Quantity

(X) Recommended Spare Parts

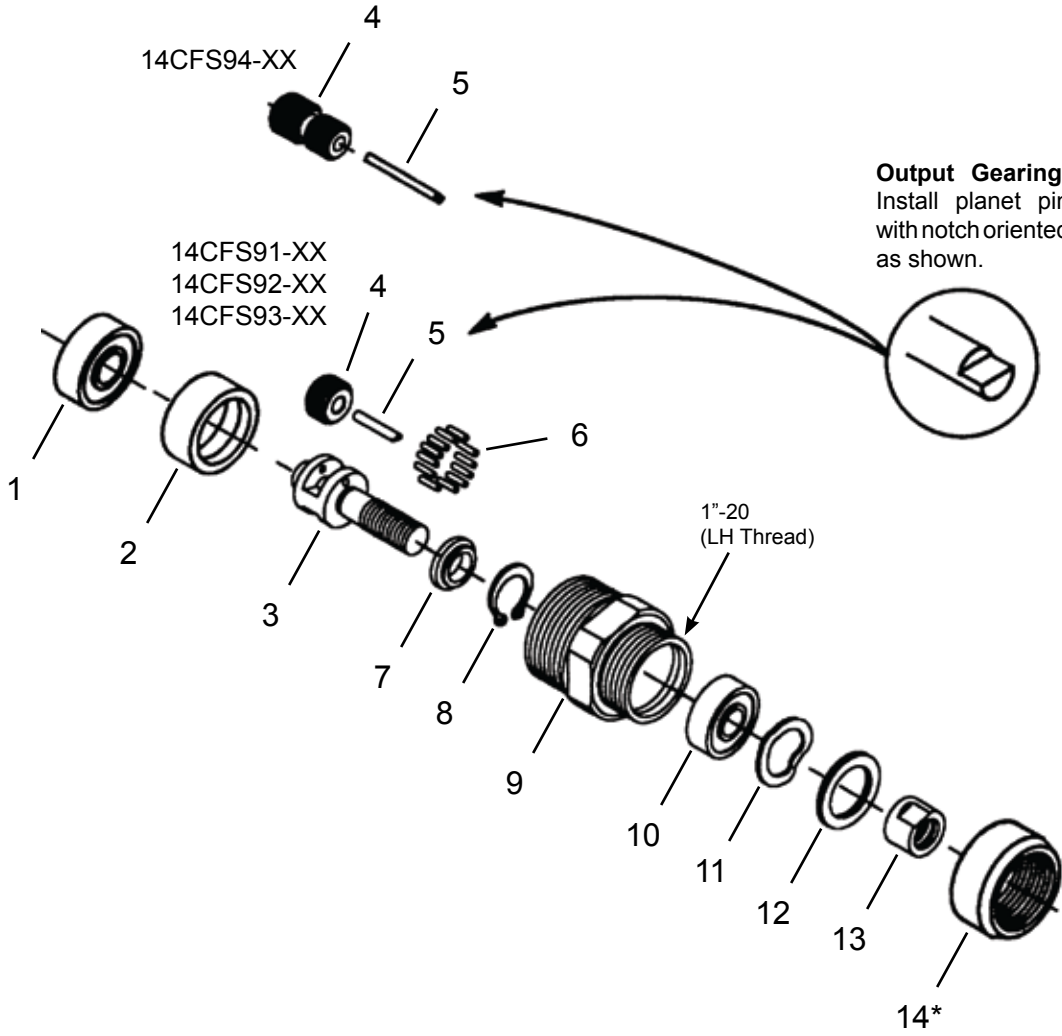
Dotco®
Single Stage Gearing

“D”

14CFS91-XX: 5,200 RPM
14CFS92-XX: 3,800 RPM
14CFS93-XX: 3,200 RPM
14CFS94-XX: 2,400 RPM

Models

14CFS91-XX
14CFS92-XX
14CFS93-XX
14CFS94-XX



* **Note:** Not included in Gear Assembly

Dotco®
Single Stage Gearing

45-8439EN
01/31/2012

Illustration "D"

Ref	Number	#	X	EN	
				Description	
--	Table "D"	1		Complete Gear Assembly	
1	1005062	1	2	Ball Bearing	
2	Table "D"	1		Bearing Adapter	
3	Table "D"	1		Planet Cage	
4	Table "D"	2	4	Planet Gear	
5	Table "D"	2	4	Planet Pin	
6	Table "D"	24	48	Planet Gear Roller	
7	Table "D"	1	1	Planet Cage Washer	
8	1010099	1	1	Retaining Ring	
9	Table "D"	1		Gear Housing	
10	1008854	1	2	Ball Bearing	
11	1110127	1	1	Wave Washer	
12	1008859	1	1	Retaining Ring	
13	1110185	1	1	Spindle Nut	
14	1110050	1		Thread Cover (not included in Gear Assembly)	

(#) Quantity

(X) Recommended Spare Parts

Table "D"

Ref.	Description	#	14CFS91-	#	14CFS92-	#	14CFS93-	#	14CFS94-
--	Complete Gear Assembly	1	1025981	1	1025555	1	1025557	1	1025553
2	Bearing Adapter		-----		-----	1	1008921	1	1008921
3	Planet Cage	1	1110948	1	1110059	1	1110058	1	1110061
4	Planet Gear	2	1110949 (14T)	2	1008968 (17T)	2	1008919 (19T)	2	1008978 (13/19T)
5	Planet Pin	2	1008920	2	1008920	2	1008920	2	1008977
6	Planet Gear Roller	24	1008924	24	1008924	24	1008924		-----
7	Planet Cage Washer	1	1110054	1	1110055	1	1110056	1	1110055
	Washer Inside Diameter		0.488/0.492"		0.518/0.522"		0.532/0.536"		0.518/0.522"
9	Gear Housing	1	1110950	1	1110047	1	1110048	1	1110049

(T) Teeth

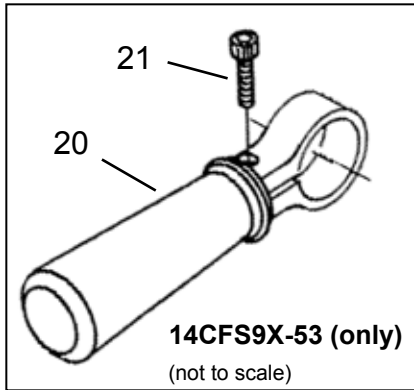
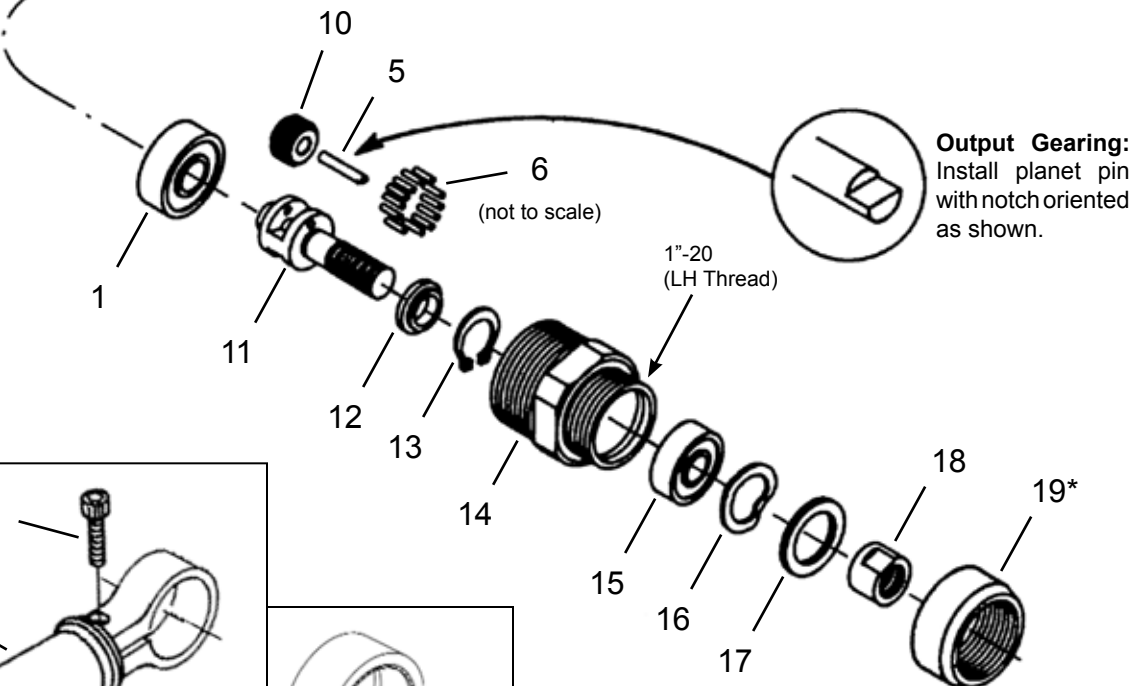
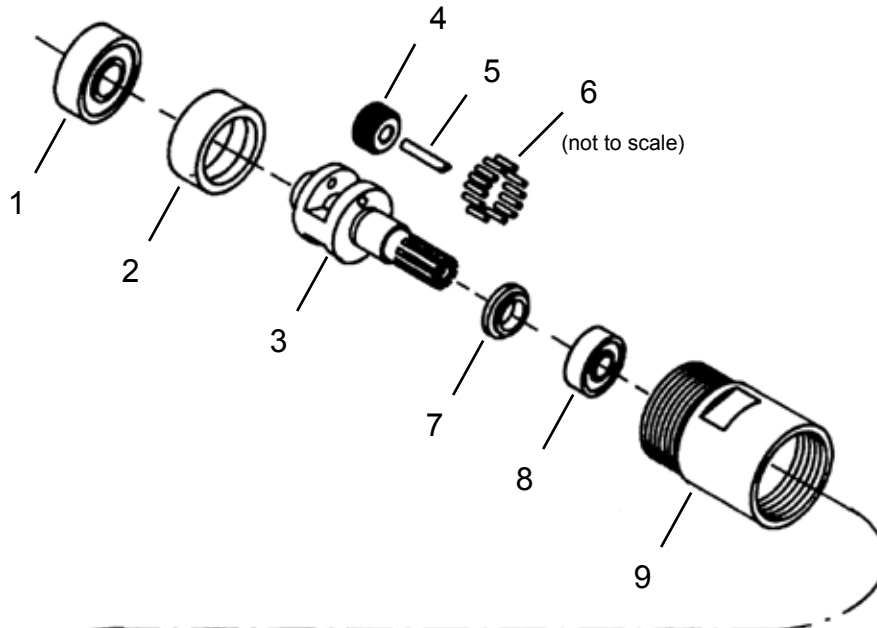
Dotco®
Double Stage Gearing

"E"

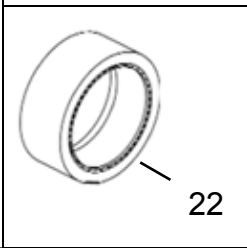
14CFS95-XX: 1,000 RPM
14CFS96-XX: 700 RPM
14CFS97-XX: 600 RPM

Models

14CFS95-XX
14CFS96-XX
14CFS97-XX



14CFS9X-53 (only)
(not to scale)



22

* **Note:** Not included in Gear Assembly

Dotco®
Double Stage Gearing

45-8439EN
01/31/2012

Illustration "E"

Ref	Number	#	X	EN	
				Description	
--	Table "E"	1		Primary Gearing Assembly (includes Ref. 1(1), 2, 3, 4, 5(2), 6(48), 7, 8, 9)	
1	1005062	2	4	Ball Bearing	
2	Table "E"	1		Bearing Adapter	
3	Table "E"	1		Planet Cage	
4	Table "E"	2	4	Planet Gear	
5	1008920	2	4	Planet Pin	
6	1008924	48	96	Planet Gear Roller	
7	Table "E"	1	1	Planet Cage Washer	
8	1007537	1	2	Ball Bearing	
9	Table "E"	1		Gear Housing	
--	1025551	1		Output Gearing Assembly (includes Ref. 1(1), 5(2), 6(48), 10-18)	
10	1008973	2	4	Planet Gear (14T)	
11	1110057	1		Planet Cage	
12	1110054	1	1	Planet Cage Washer	
13	1010099	1	1	Retaining Ring	
14	1110046	1		Gear Housing	
15	1008854	1	2	Ball Bearing	
16	1110127	1	1	Wave Washer	
17	1008859	1	1	Retaining Ring	
18	1110185	1	1	Spindle Nut	
19	1110050	1		Thread Cover (not included in Gear Assembly)	
20	1025750	1		Dead Handle (includes Ref. 21) (14CFS9X-53 models)	
21	541802	1		Cap Screw (14CFS9X-53 models)	
22	01-1204	1		Thread Cover (optional)	

(#) Quantity
(X) Recommended Spare Parts
(T) Teeth

Table "E"

Ref.	Description	#	14CFS95-	#	14CFS96-	#	14CFS97-
--	Primary Gearing Assembly	1	1025247	1	1025180	1	1025250
2	Bearing Adapter		-----		-----	1	1008921
3	Planet Cage	1	1008985	1	1009679	1	1009681
4	Planet Gear	2	1008973 (14T)	2	1008968 (17T)	2	1008919 (19T)
7	Planet Cage Washer	1	1008986	1	1009680	1	1009682
9	Gear Housing	1	1019146	1	1019147	1	1019148

(T) Teeth

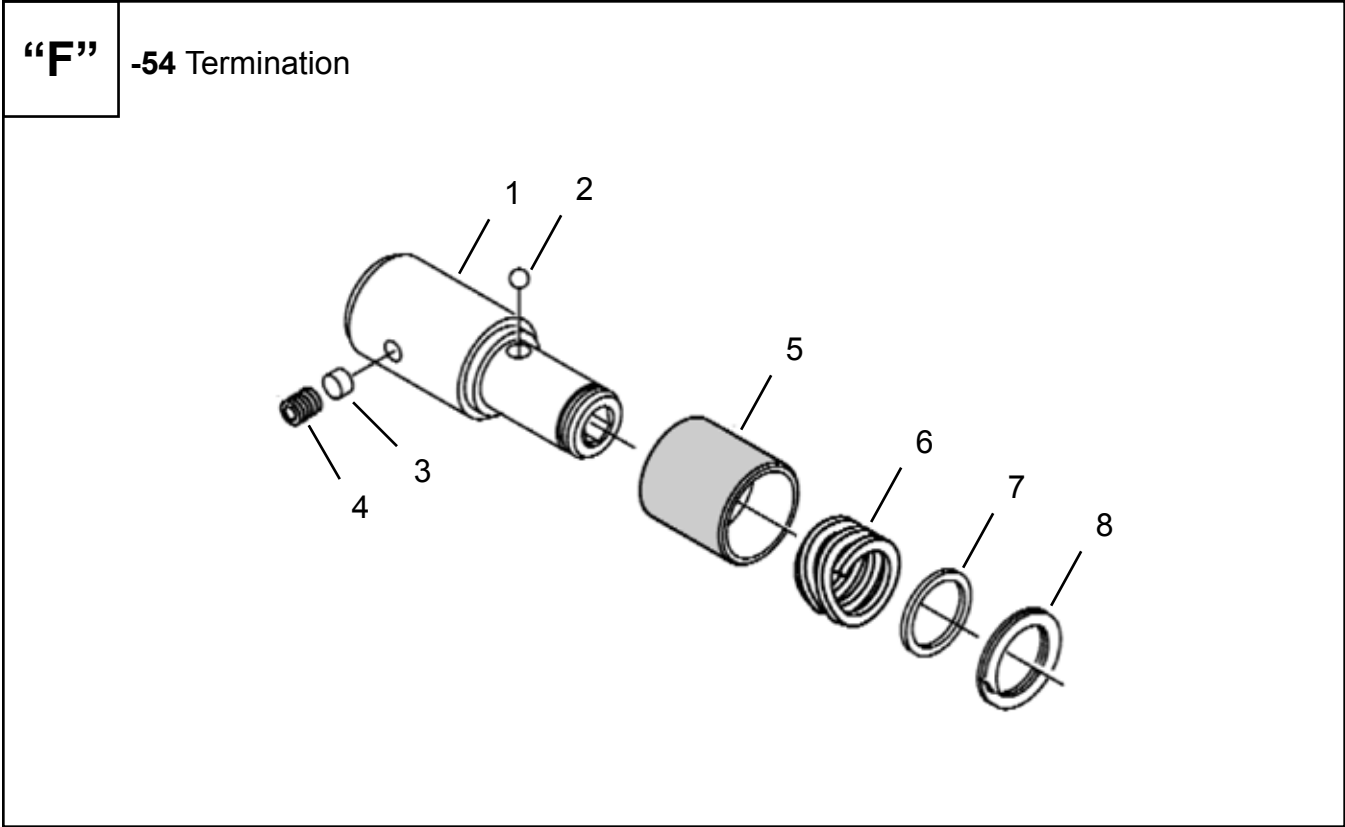


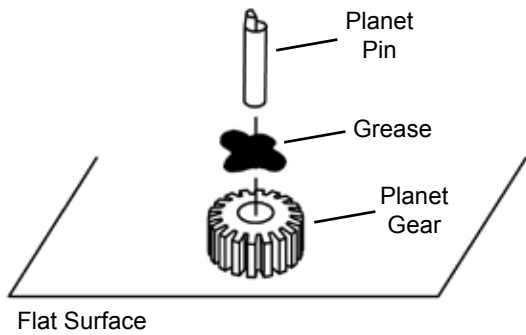
Illustration "F"

Ref	Number	#	X	EN
				Description
1	1014056	1		Chuck Body
2	1004968	1	3	Steel Ball (5/32")
3	1015203	1	1	Brass Pad
4	1110399	1	1	Set Screw (#10-32 x 1/8")
5	1014057	1		Chuck Sleeve
6	1009823	1	1	Spring
7	1014058	1		Washer
8	1012682	1		Retaining Ring

(#) Quantity

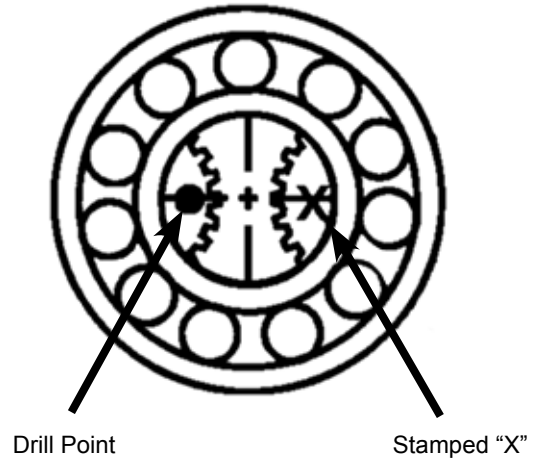
(X) Recommended Spare Parts

1 Planetary Gearing



1. Place Planet Gears on a clean flat surface.
2. Place a small amount of grease into each Planet Gear.
3. Insert a Planet Pin into each Planet Gear, as shown.
4. Insert Rollers (12) into each Planet Gear.
5. Grease will hold the rollers in position.

2 Timing: 14CFS94-XX

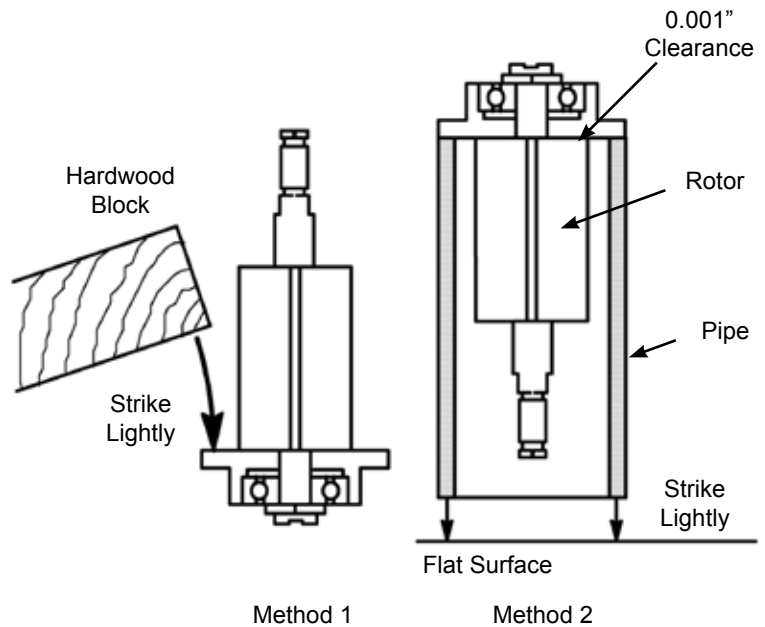


3 Motor Assembly

Tighten the rotor nut. Caution: Overtightening the nut could damage the ball bearing.

Alternately; tighten the nut and spin the rotor until there is a clearance of 0.001" between the rotor and the end plate.

Seat the threaded components by using one of the methods shown.



Sales & Service Centers

Note: All locations may not service all products. Please contact the nearest Sales & Service Center for the appropriate facility to handle your service requirements.

Dallas, TX
**Apex Tool Group
Sales & Service Center**
1470 Post & Paddock
Grand Prairie, TX 75050
Tel: 972-641-9563
Fax: 972-641-9674

Detroit, MI
**Apex Tool Group
Sales & Service Center**
2630 Superior Court
Auburn Hills, MI 48326
Tel: 248-391-3700
Fax: 248-391-7824

Houston, TX
**Apex Tool Group
Sales & Service Center**
6550 West Sam Houston
Parkway North, Suite 200
Houston, TX 77041
Tel: 713-849-2364
Fax: 713-849-2047

Lexington, SC
Apex Tool Group
670 Industrial Drive
Lexington, SC 29072
Tel: 800-845-5629
Tel: 803-951-7544
Fax: 803-358-7681

Los Angeles, CA
**Apex Tool Group
Sales & Service Center**
15503 Blackburn Avenue
Norwalk, CA 90650
Tel: 562-623-4457
Fax: 562-802-1718

Seattle, WA
**Apex Tool Group
Sales & Service Center**
2865 152nd Avenue N.E.
Redmond, WA 98052
Tel: 425-497-0476
Fax: 425-497-0496

York, PA
**Apex Tool Group
Sales & Service Center**
3990 East Market Street
York, PA 17402
Tel: 717-755-2933
Fax: 717-757-5063

Canada
**Apex Tool Group
Sales & Service Center**
5925 McLaughlin Road
Mississauga, Ont. L5R 1B8
Canada
Tel: 905-501-4785
Fax: 905-501-4786

Germany
**Apex Tool Group
GmbH & Co. OHG**
Industriestraße 1
73463 Westhausen
Germany
Tel: +49 (0) 73 63 81 0
Fax: +49 (0) 73 63 81 222

England
**Apex Tool Group
GmbH & Co. OHG**
C/O Spline Gauges
Piccadilly, Tamworth
Staffordshire B78 2ER
United Kingdom
Tel: +44 1827 8741 28
Fax: +44 1827 8741 28

France
Apex Tool Group SAS
25 rue Maurice Chevalier
77330 Ozoir-La-Ferrière
France
Tel: +33 1 6443 2200
Fax: +33 1 6443 1717

China
Cooper (China) Co., Ltd.
a company of
Apex Tool Group, LLC
955 Sheng Li Road,
Heqing Pudong, Shanghai
China 201201
Tel: +86-21-28994176
Fax: +86-21-51118446

Mexico
Cooper Tools
de México S.A. de C.V.
a company of
Apex Tool Group, LLC
Vialidad El Pueblito #103
Parque Industrial Querétaro
Querétaro, QRO 76220
Mexico
Tel: +52 (442) 211-3800
Fax: +52 (442) 103-0443

Brazil
Cooper Tools Industrial Ltda.
a company of
Apex Tool Group, LLC
Av. Liberdade, 4055
Zona Industrial - Iporanga
18087-170 Sorocaba
SP Brazil
Tel: +55 15 2383929
Fax: +55 15 2383260

Hungary
Cooper Tools Hungaria Kft.
a company of
Apex Tool Group, LLC
Berkenyefa sor 7
Pf: 640
9027 Győr
Hungary
Tel: +36 96 66 1383
Fax: +36 96 66 1135

Apex Tool Group, LLC
1000 Lufkin Road
Apex, NC 27539
Phone: 919-387-0099
Fax: 919-387-2614
www.apextoolgroup.com

DOTCO®