



	12	L	4	0	18	-	XX
<u>Product Classification</u> 12 = Ergonomic Handle							
<u>Throttle Type</u> L = Locking Lever							
<u>Motor Size</u> 4 = 1.7 hp							
<u>Handle Style</u> 0 = Straight							
<u>Speed Options (RPM)</u> 18 = 18,000							
<u>Termination Code</u> 01 = 1/4" Collet (1/4" Router Bits) 03 = 3/8" Collet (3/8" Router Bits)							

Description and Repair Instructions

Language Version:

This Parts Manual is the **“Original Instructions”** intended for all persons who will use or repair these tools.

Product Identification:

Refer to the “Model Nomenclature” page in this document.

Noise and Vibration:

Refer to documents CE-1013DC and CE-1013TD.

General Description:

Air powered inline router.

Intended Use:

These routers are intended for material removal applications. Use only for their designated purpose. Do not use as a hammer, lever or other improper usage that can cause tool damage and operator injury.

Copyright protection:

Apex Tool Group, LLC reserves the right to modify, supplement or improve this document or the product without prior notice. This document may not be reproduced in any way, shape or form, in full or parts thereof, or copied to another natural or machine readable language or to a data carrier, whether electronic, mechanical, optical or otherwise without the express permission of Apex Tool Group, LLC.

General Safety:

Refer to General Safety document, CE-2013 for general safety operating instructions for this equipment.

Lubrication:

Refer to lubrication document, PL65-LUB, for general lubrication instructions.

Motor Assembly:

- Replace the rotor blades if they measure less than 0.437” wide (11.1 mm).
- Replace all bearings whenever the motor is repaired.
- To correct for bearing tolerances, it is necessary to use shims to maintain clearances between the ends of the rotor and the front and rear bearing plates.
- Place a 0.002” shim in the front bearing plate then install the ball bearing.
- Place the spacer on the rotor before pressing the front bearing plate assembly onto the rotor shaft. *Note: Press on the inner race of the ball bearing.*
- Secure the rotor in a soft jawed vise and assemble the chuck body securely onto the rotor shaft.
- Hold the rotor in your left hand and the front bearing plate assembly in your right hand.
- Apply outward (pulling) pressure and observe the spacing between the end of the rotor and the front bearing plate.
- This spacing should be from flush (not rubbing) to a maximum of 0.002”.
- If the front bearing plate contacts the rotor, reduce the spacing by removing the 0.002” shim completely or replacing it with the 0.001” shim.
- If the spacing is more than 0.002”, add the 0.001” shim to reduce the spacing.
- Install the ball bearing into the rear bearing plate.
- Install the spacer on the rear of the rotor before pressing the rear bearing plate assembly onto the rotor shaft. *Note: Press on the inner race of the ball bearing.*
- Check the spacing between the end of the rotor and the rear bearing plate. This spacing should be from 0.001” to 0.002”. Shim as necessary to obtain this spacing.
- Remove the rear bearing plate assembly and install three rotor blades into the rotor slots.
- Install the cylinder making certain the air inlet hole in the cylinder match up with the air inlet hole in the rear bearing plate. **Note: The cylinder can be assembled backwards.**
- Press the rear bearing plate assembly onto the rotor shaft. *Note: Press on the inner race of the ball bearing.*

Governor Module Assembly:

WARNING! *The Governor Module is factory sealed and IS NOT to be repaired.*



Attempting to repair the governor module can cause a dangerous over-speeding condition that is hazardous to personnel and equipment.

Always replace the governor module with a new module of the same rated speed.

- Using the 15/16" wrench on the governor module flats, assemble the governor module onto the rear rotor shaft (*Left Hand Thread*). The module should be tight against the ball bearing.
- Make certain the nozzle and motor bore of the housing are thoroughly clean.
- Use care not to damage the governor module during assembly.

Final Assembly:

- Install the motor assembly into the motor housing.
- Thread the governor housing into the motor housing until hand tight. Secure the flats of the governor housing in a vise and complete tightening the motor housing with a strap wrench.
- Assemble the throttle components into the throttle housing.
- Tighten the throttle housing assembly onto the governor housing.

Speed Test and Adjustment:

Check tool speed without the router attachment.

Use an accurate tachometer to check the speed, with 90 psig air pressure at the tool while running.

The tool must NOT have a free speed higher than the rpm stamped on the housing. Speeds above the stamped maximum may actuate the speed limiter, which requires disassembly to reset. Speed tolerance is rated speed minus 10%. If tool speed is not within this specified range, proceed as outlined in the following "Speed Adjustment" section.

Speed Adjustment:

- Place the motor housing in a soft jawed vise, throttle end up.
- Grip on the flats of the governor housing with an open end wrench and remove the throttle housing.
- Using a 3/8" hex wrench, loosen the nozzle locknut.

- Using a 5/16" hex wrench rotate the nozzle.

Clockwise to reduce speed

Counterclockwise to increase speed.

Note: There is very little clearance between the nozzle and the rotating governor module. If the nozzle is rotated clockwise turn the spindle by hand to make certain the nozzle is not making contact with the governor module. The spindle must turn freely at all times.

- Tighten the nozzle locknut to hold the nozzle position. Use care not to disturb the nozzle while tightening the locknut.
- Reassemble the throttle housing to the governor housing.
- Re-check the speed of the tool as described in "Speed Test and Adjustment".

Router Housing Assembly:

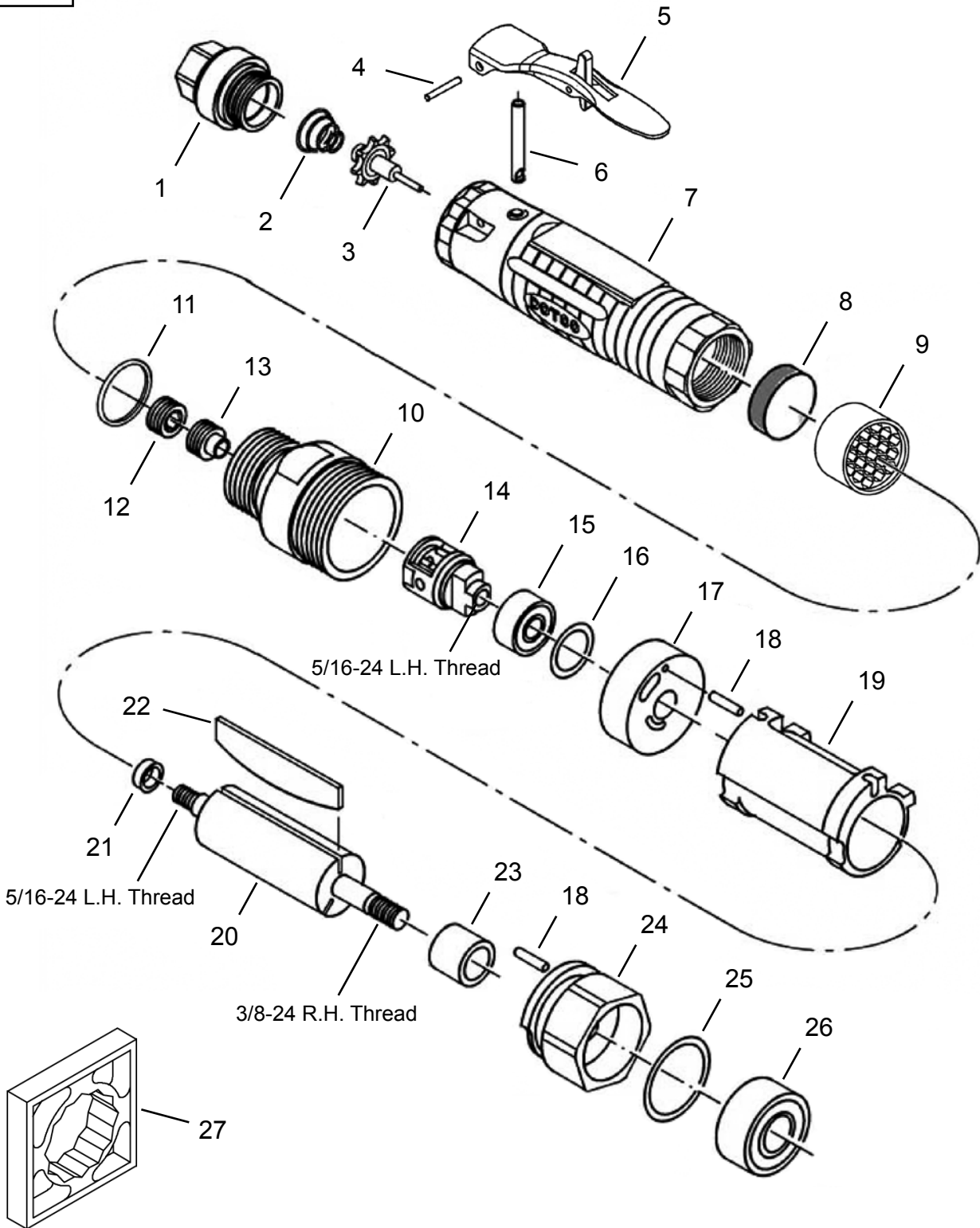
- Assemble the ball bearing, washer, muffler and spacer ring into the router housing.
- Install the adjustment ring onto the front of the motor housing.
- Thread the router housing assembly securely onto the motor housing.
- Install the router bit into the collet.

CAUTION! ***Never tighten the collet into the chuck body without the arbor of a router bit installed through the collet. This may cause the collet to be crushed or permanently deformed.***



Dotco® Throttle Housing

“A”



Dotco®
Throttle Housing

45-8187EN
04/12/2012

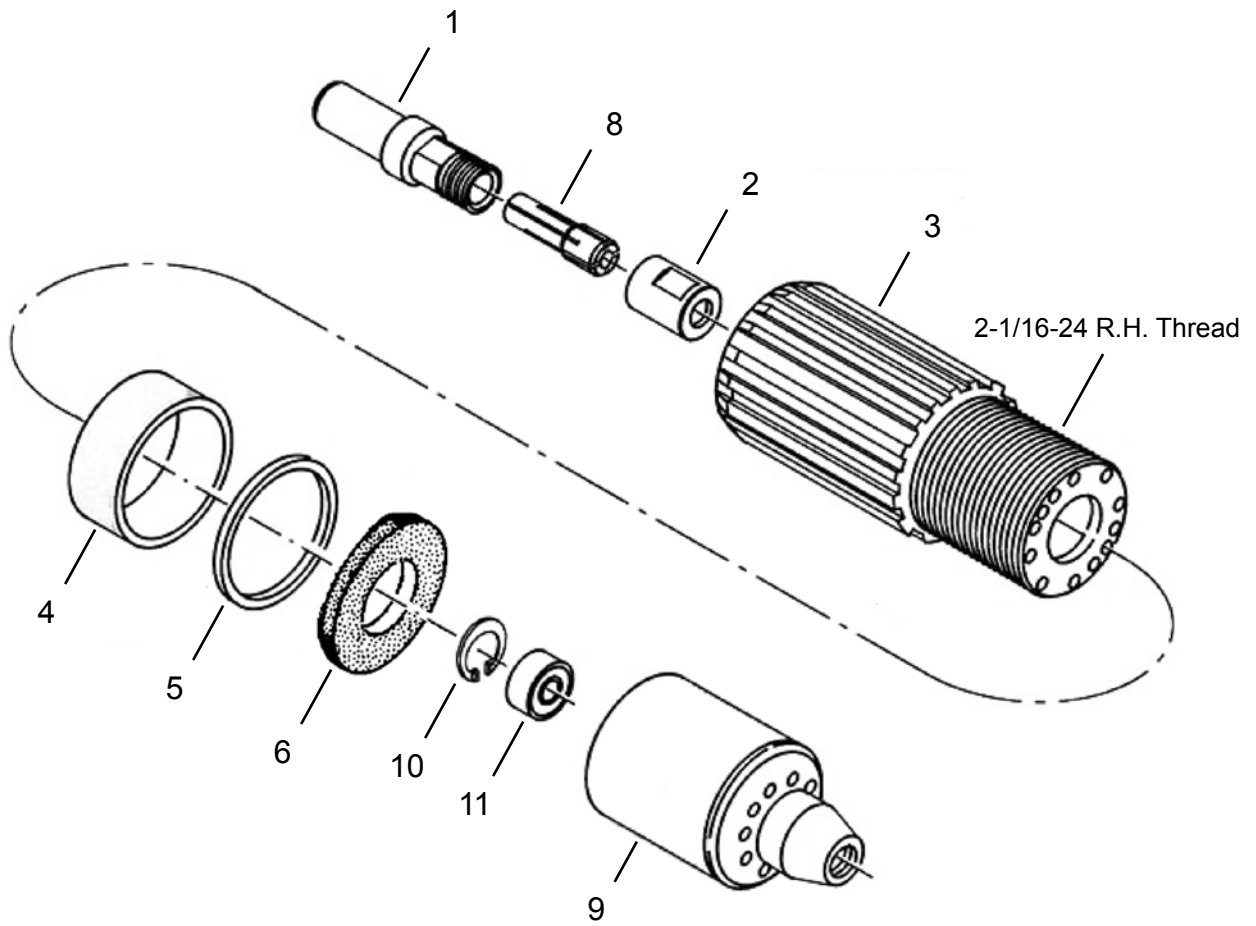
Illustration "A"

Ref	Number	#	X	EN
				Description
1	01-3031	1		Inlet Adapter (1/2" NPT)
2	01-3029	1	3	Spring
3	01-3033	1	1	Poppet Valve
4	1042	1	1	Lever Pin
5	01-1267	1	1	Lock-Off Lever Assembly
6	01-3036	1		Valve Stem
7	01-3035	1		Throttle Housing
8	4293	1	3	Filter Disc
9	02-5316	1		Filter Retainer
10	4063PT	1		Governor Housing (includes Ref. 11-12-13)
11	3036PT	1	3	O-Ring
12	3263PT	1		Nozzle Locknut
13	3262PT	1		Nozzle
14	3260S	1		Governor Module
15	500PT	1	2	Ball Bearing
16	2488PT	1		Shim Packet
17	4168	1		Rear Bearing Plate (includes 1 Ref. 18)
18	3062	2	4	Pin
19	4189	1		Cylinder
20	4070	1		Rotor (includes Ref. 21)
21	2017PT	1		Spacer
22	4171	3	9	Rotor Blade
23	4253PT	1		Spacer
24	4268PT	1		Front Bearing Plate (includes 1 Ref. 18)
25	2645	1		Shim Packet
26	521	1	2	Ball Bearing
27	14-0851	1		Ergo Handle Wrench

(#) Quantity

(X) Recommended Spare Parts

“B”



Dotco®
Motor Housing

45-8187EN
04/12/2012

Illustration "B"

Ref	Number	#	X	EN
				Description
1	4261PT	1		Chuck Body
2	2058PT	1		Collet Cap
3	4267PT	1		Motor Housing
4	4266PT	1		Adjustment Ring
5	4121PT	1		Spacer Ring
6	02-5210	1	3	Muffler
7	14-0809	1		Wrench (9/16")
	14-0812	1		Wrench (3/4")
Termination 01:				
8	208	1	1	Collet (1/4")
9	4271PT	1		Router Housing (includes Ref. 10-11)
10	1098	1	2	Internal Bowed Retaining Ring
11	14-0508	1	2	Ball Bearing
Termination 03:				
8	212	1	1	Collet (3/8")
9	4262PT	1		Router Housing (includes Ref. 10-11)
10	1068PT	1	2	Internal Bowed Retaining Ring
11	14-0533	1	2	Ball Bearing

(#) Quantity

(X) Recommended Spare Parts

Sales & Service Centers

Note: All locations may not service all products. Please contact the nearest Sales & Service Center for the appropriate facility to handle your service requirements.

Dallas, TX
**Apex Tool Group
Sales & Service Center**
1470 Post & Paddock
Grand Prairie, TX 75050
Tel: 972-641-9563
Fax: 972-641-9674

Detroit, MI
**Apex Tool Group
Sales & Service Center**
2630 Superior Court
Auburn Hills, MI 48326
Tel: 248-391-3700
Fax: 248-391-7824

Houston, TX
**Apex Tool Group
Sales & Service Center**
6550 West Sam Houston
Parkway North, Suite 200
Houston, TX 77041
Tel: 713-849-2364
Fax: 713-849-2047

Lexington, SC
Apex Tool Group
670 Industrial Drive
Lexington, SC 29072
Tel: 800-845-5629
Tel: 803-951-7544
Fax: 803-358-7681

Los Angeles, CA
**Apex Tool Group
Sales & Service Center**
15503 Blackburn Avenue
Norwalk, CA 90650
Tel: 562-623-4457
Fax: 562-802-1718

Seattle, WA
**Apex Tool Group
Sales & Service Center**
2865 152nd Avenue N.E.
Redmond, WA 98052
Tel: 425-497-0476
Fax: 425-497-0496

York, PA
**Apex Tool Group
Sales & Service Center**
3990 East Market Street
York, PA 17402
Tel: 717-755-2933
Fax: 717-757-5063

Canada
**Apex Tool Group
Sales & Service Center**
5925 McLaughlin Road
Mississauga, Ont. L5R 1B8
Canada
Tel: 905-501-4785
Fax: 905-501-4786

Germany
**Apex Tool Group
GmbH & Co. OHG**
Industriestraße 1
73463 Westhausen
Germany
Tel: +49 (0) 73 63 81 0
Fax: +49 (0) 73 63 81 222

England
**Apex Tool Group
GmbH & Co. OHG**
C/O Spline Gauges
Piccadilly, Tamworth
Staffordshire B78 2ER
United Kingdom
Tel: +44 1827 8741 28
Fax: +44 1827 8741 28

France
Apex Tool Group SAS
25 rue Maurice Chevalier
77330 Ozoir-La-Ferrière
France
Tel: +33 1 6443 2200
Fax: +33 1 6443 1717

China
Cooper (China) Co., Ltd.
a company of
Apex Tool Group, LLC
955 Sheng Li Road,
Heqing Pudong, Shanghai
China 201201
Tel: +86-21-28994176
Fax: +86-21-51118446

Mexico
Cooper Tools
de México S.A. de C.V.
a company of
Apex Tool Group, LLC
Vialidad El Pueblito #103
Parque Industrial Querétaro
Querétaro, QRO 76220
Mexico
Tel: +52 (442) 211-3800
Fax: +52 (442) 103-0443

Brazil
Cooper Tools Industrial Ltda.
a company of
Apex Tool Group, LLC
Av. Liberdade, 4055
Zona Industrial - Iporanga
18087-170 Sorocaba
SP Brazil
Tel: +55 15 2383929
Fax: +55 15 2383260

Hungary
Cooper Tools Hungaria Kft.
a company of
Apex Tool Group, LLC
Berkenyefa sor 7
Pf: 640
9027 Győr
Hungary
Tel: +36 96 66 1383
Fax: +36 96 66 1135

Apex Tool Group, LLC
1000 Lufkin Road
Apex, NC 27539
Phone: 919-387-0099
Fax: 919-387-2614
www.apextoolgroup.com

DOTCO®