

Parts Manual

45-8200
 PL30-1231
 04/27/2011

DOTCO®

12-31 Series
Horizontal Grinder



	12	X	3	1	XX	-	XX
<u>Tool Series</u> 12 = Ergo Grinder/Sander							
<u>Throttle Type</u> L = Locking Lever S = Locking Lever							
<u>Motor Size</u> 3 = 1.3 Horsepower							
<u>Handle Style</u> 1 = Horizontal, Side Exhaust							
<u>Speed Options (RPM)</u> 12 = 12,000 15 = 15,000 18 = 18,000							
<u>Termination Code</u> 01 = 200 Series Collet (3/8" diameter shank maximum) 16 = 3" x 1/2" x 3/8" hole, Type 1 straight wheels 17 = 3" x 1/2" x 1/2" hole, Type 1 straight wheels 77 = 3/8"-24 Spindle Thread 78 = 1/2"-13 Spindle Thread 79 = 5/8"-11 Spindle Thread							

For additional product information visit our website at <http://www.apextoolgroup.com>

SAFETY FIRST!

ALWAYS COMPLY WITH:

1. General Industry Safety & Health Regulations, Part 1910, OSHA 2206, available from: Sup't of Documents; Government Printing Office; Washington DC 20402
2. Safety Code for Portable Air Tools, ANSI B186.1 available from: American National Standards Institute, Inc.; 1430 Broadway; New York, NY 10018
3. State and Local regulations.

Portions of the above codes and regulations are listed below for quick reference.

THESE EXCERPTS ARE NOT INTENDED TO BE ALL INCLUSIVE - STUDY AND COMPLY WITH ALL REGULATIONS!



WARNING

FAILURE TO COMPLY WITH ALL SAFETY REGULATIONS MAY RESULT IN SERIOUS INJURY.

1. **TOOL INTENT** — Tools shall be used only for purposes intended in their design (refer to product catalog).
2. **AIR SUPPLY** — Test and operate tools at 90 PSIG maximum unless tool is marked otherwise. Use recommended airline filters—regulators—lubricators.
3. **UNUSUAL SOUND or VIBRATION** — If tool vibrates or produces an unusual sound, repair immediately for correction.
4. **OPERATOR PROTECTIVE EQUIPMENT** — Wear goggles or face shield at all times tool is in operation. Other protective clothing shall be worn, if necessary. **SEE REGULATIONS.**
5. **SAFETY MAINTENANCE PROGRAM** — Employ a safety program to provide inspection and maintenance of all phases of tool operation and air supply equipment in accordance with "Safety Code for Portable Air Tools."

Safe Work Practices Symbol



WARNING

The signal word "Warning" identifies all notes on safe work practices in this operating instruction, alerting to hazards for life and health of people. Observe these notes and proceed with special care in the cases described. Pass all safety instructions on to other operators. In addition to the safety instructions in this operating instruction, the general local safety and accident prevention rules must be observed.

Important Notes



CAUTION

The signal word "caution" identifies all portions of this operating instruction meriting special attention to ensure that guidelines, rules, hints and the correct work procedures are observed; and, to prevent damage to and destruction of the machine and/or parts.

(*) Indicates recommended spare part (or set) for every five (5) tools. Small, low cost or easily lost parts should be stocked as 3-4 per 10 tools.



WARNING

Disconnect the air supply hose before servicing the tool.

OPERATION

All 12L & 12S models covered by this parts list...

These models are lever operated (with latch off) horizontal type motors. The operator actuates and releases the lever, which starts and stops the air motor. When the motor starts, the tool's output spindle is turning at the rated speed (12,000, 15,000 or 18,000 RPM).

Terminations 16 & 17:



WARNING

Tools with mounted wheels -

A wheel guard is installed on the tool and covers the grinding wheel for operator protection. Before starting the motor, always check to be sure the guard is securely mounted and functioning properly.

Terminations 16 & 17:



WARNING

Spindle Nut -

Always check to be sure the spindle nut is lightly tightened (snug).

LUBRICATION

Lubricate the motor with an air line lubricator, using a light air tool oil. Adjust the lubricator to dispense one drop per cycle or three drops per minute. This oil is available in one (1) quart (540397) or one (1) gallon (533485) quantities. A high film strength oil (536333) is also available; this oil cannot be used in Atomist type lubricators, use only with Economist or serv-oil type lubricators.



CAUTION

Do not use substitutes for oil and grease. This could result in damage to the tool.



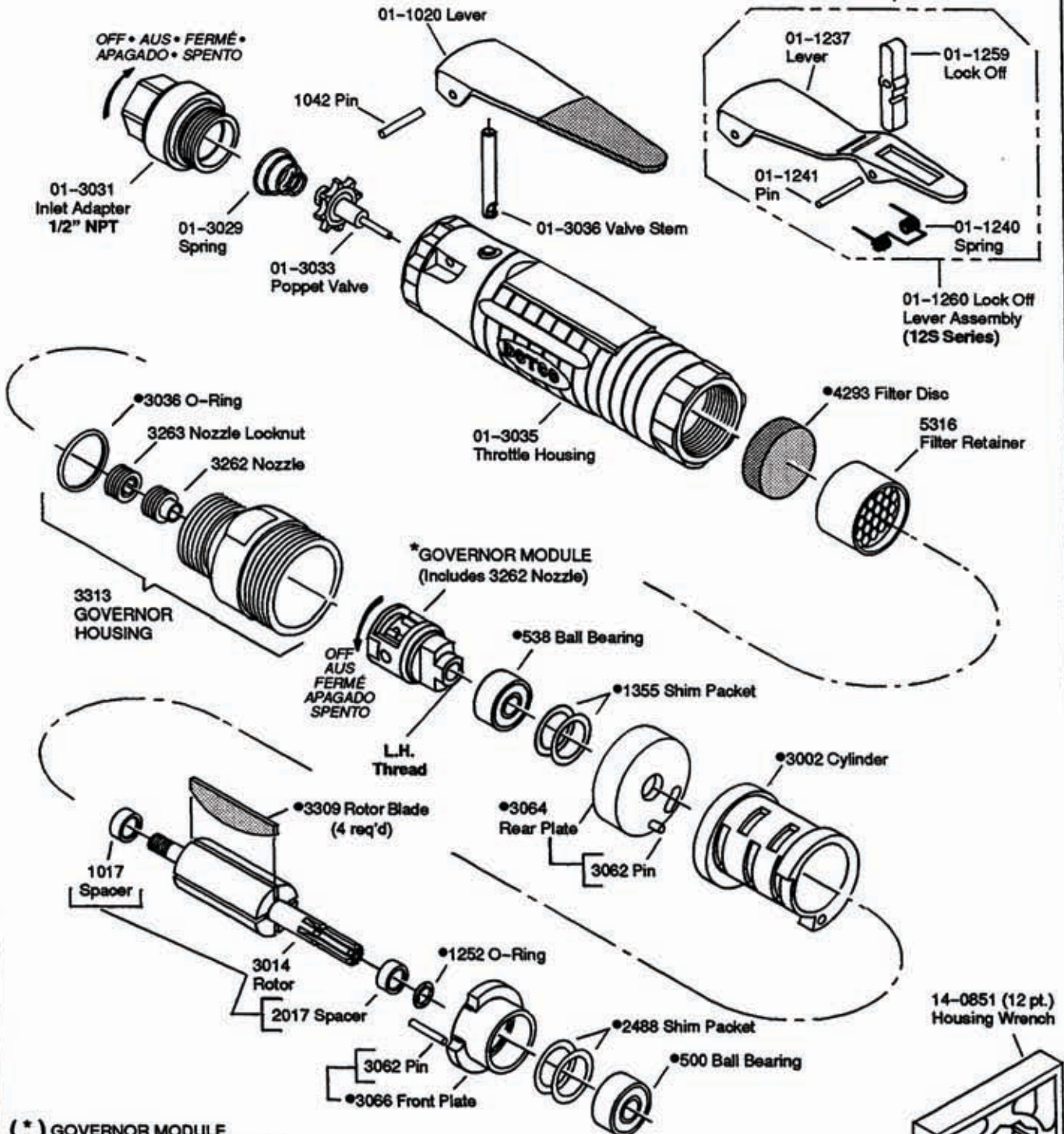
WARNING

CHECK SPEED OF TOOL WITHOUT WHEEL BEFORE IT IS RELEASED FOR USE.

The **SPEED TOLERANCE** is rated speed minus 10%. The tool must NOT have a free speed higher than the RPM stamped on the housing. Use an accurate tachometer to check the speed, with 90 PSIG air pressure at the tool *while running*.

DOTCO®
12-31 Series ERGO 1.3 HP Grinders

Throttle Housing, Governor &
Motor Components

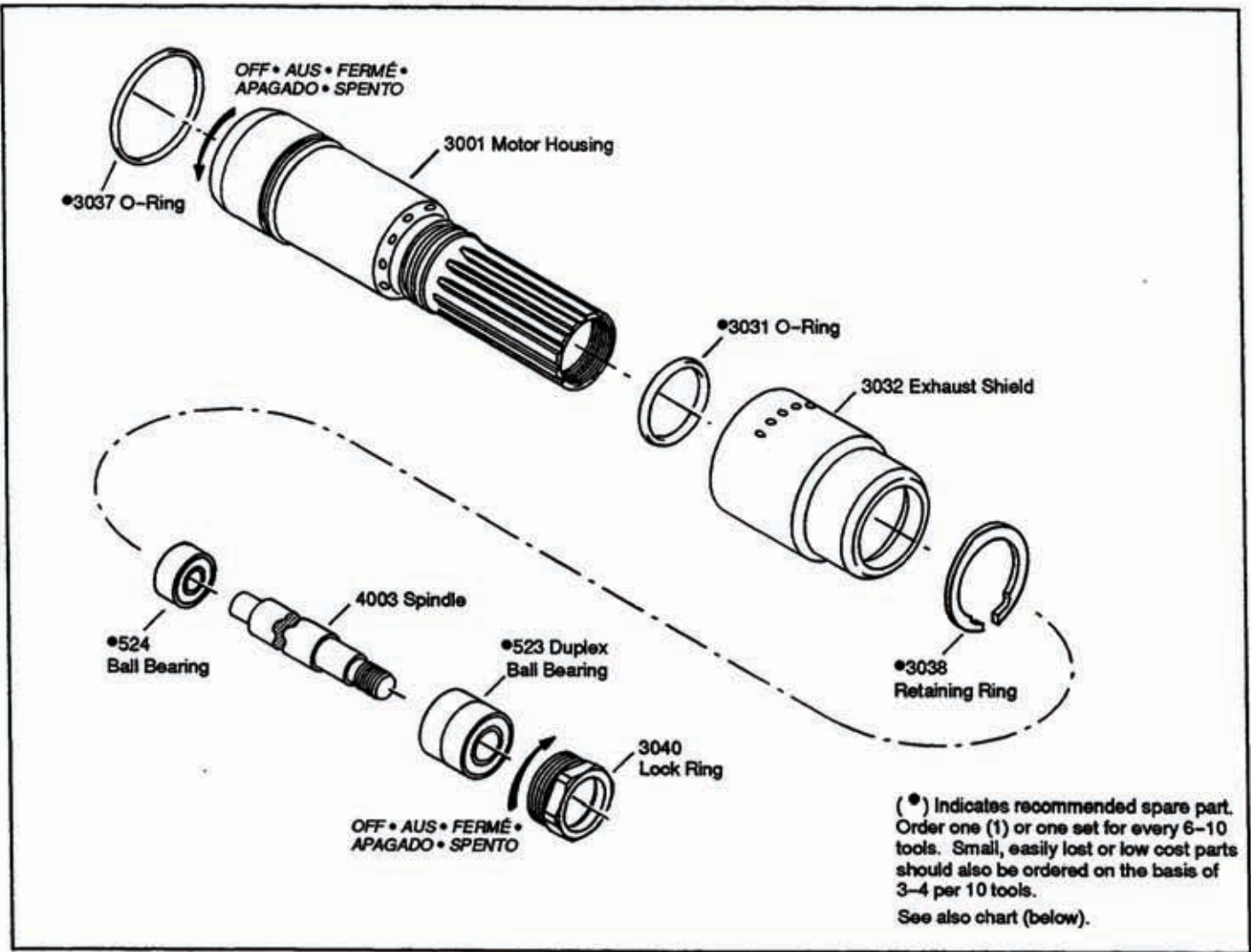


(*) GOVERNOR MODULE

PART NUM.	MODEL SERIES	SPEED (RPM)
4193	12-3112	12,000
3259	12-3115	15,000
3260	12-3118	18,000

(*) Indicates recommended spare part. Order one (1) or one set for every 6-10 tools. Small, easily lost or low cost parts should also be ordered on the basis of 3-4 per 10 tools.

DOTCO®
12-31 Series ERGO 1.3 HP Grinders



RECOMMENDED SPARE PARTS LIST

These parts are suggested as a recommended inventory of spare parts. Where parts are small, low cost, or easily lost, then we recommend stocking 3 to 4 for every 10 tools. Other larger, lower wear or more expensive parts should be maintained as one (or one set) for every six to ten tools.

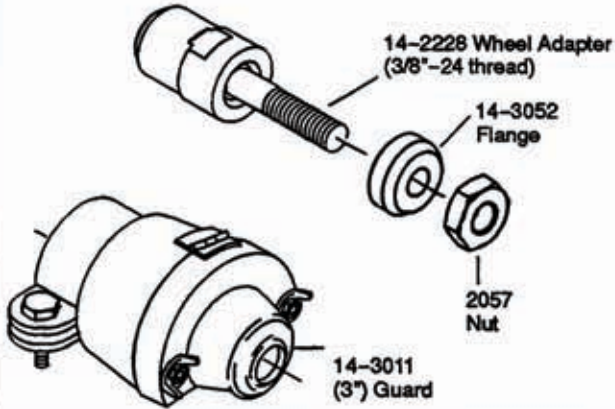
Part Number	Description	Qty Per Tool	Recommended Spare Pts	
			Per Tool	Per 10 Tools
500	Ball Bearing	1	1	2
523	Duplex Ball Bearing	1	1	2
524	Ball Bearing	1	1	2
538	Ball Bearing	1	1	2
1252	O-Ring	1	2-3	3-4
1355	Shim Packet	1	1	2
2488	Shim Packet	1	1	2
3004	Cylinder	1	0	2
3031	O-Ring	1	2-3	3-4

Part Number	Description	Qty Per Tool	Recommended Spare Pts	
			Per Tool	Per 10 Tools
3036	O-Ring	1	2-3	3-4
3037	O-Ring	1	2-3	3-4
3038	Retaining Ring	1	2-3	3-4
3064	Rear Plate	1	0	2
3066	Front Plate	1	0	2
3309	Rotor Blade	4	4	20
4293	Filter Disc	1	1	2
Var.	Collet (TERM. 01)	1	1	2

DOTCO®
12-31 Series ERGO 1.3 HP Grinders
TERMINATIONS

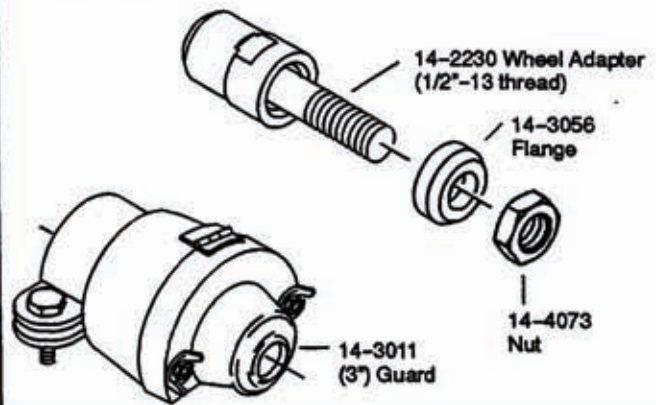
TERMINATION 16
Type 1 Straight Wheels
(3" x 1/2" x 3/8" hole)

Includes:
14-0814 (7/8") Wrench

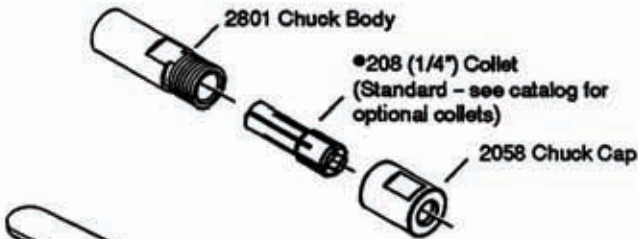


TERMINATION 17
Type 1 Straight Wheels
(3" x 1/2" x 1/2" hole)

Includes:
14-0814 (7/8") Wrench



TERMINATION 01
1 1/4" Carbide Bur
2" Mounted Wheel



Termination 01 includes:
14-0809 (9/16") Wrench
14-0812 (3/4") Wrench

TERMINATIONS 77, 78, 79
Cone & Plug Wheel
Types 16-19



TERMINATION	ARBOR Part Number	Spindle Thread	Includes Wrenches:
77	14-4067	3/8"-24	14-0810 (5/8")
78	14-4068	1/2"-13	14-0810 (5/8")
79	14-4069	5/8"-11	14-0810 (5/8")

Sales & Service Centers

Note: All locations may not service all products. Please contact the nearest Sales & Service Center for the appropriate facility to handle your service requirements.

Dallas, TX
**Apex Tool Group
Sales & Service Center**
1470 Post & Paddock
Grand Prairie, TX 75050
Tel: 972-641-9563
Fax: 972-641-9674

Detroit, MI
**Apex Tool Group
Sales & Service Center**
2630 Superior Court
Auburn Hills, MI 48326
Tel: 248-391-3700
Fax: 248-391-7824

Houston, TX
**Apex Tool Group
Sales & Service Center**
6550 West Sam Houston
Parkway North, Suite 200
Houston, TX 77041
Tel: 713-849-2364
Fax: 713-849-2047

Lexington, SC
Apex Tool Group
670 Industrial Drive
Lexington, SC 29072
Tel: 800-845-5629
Tel: 803-951-7544
Fax: 803-358-7681

Los Angeles, CA
**Apex Tool Group
Sales & Service Center**
15503 Blackburn Avenue
Norwalk, CA 90650
Tel: 562-623-4457
Fax: 562-802-1718

Seattle, WA
**Apex Tool Group
Sales & Service Center**
2865 152nd Avenue N.E.
Redmond, WA 98052
Tel: 425-497-0476
Fax: 425-497-0496

York, PA
**Apex Tool Group
Sales & Service Center**
3990 East Market Street
York, PA 17402
Tel: 717-755-2933
Fax: 717-757-5063

Canada
**Apex Tool Group
Sales & Service Center**
5925 McLaughlin Road
Mississauga, Ont. L5R 1B8
Canada
Tel: 905-501-4785
Fax: 905-501-4786

Germany
Cooper Power Tools
GmbH & Co. OHG
a company of
Apex Tool Group, LLC
Industriestraße 1
73463 Westhausen
Germany
Tel: +49 (0) 73 63 81 0
Fax: +49 (0) 73 63 81 222

England
Cooper Power Tools
GmbH & Co. OHG
a company of
Apex Tool Group, LLC
C/O Spline Gauges
Piccadilly, Tamworth
Staffordshire B78 2ER
United Kingdom
Tel: +44 1827 8741 28
Fax: +44 1827 8741 28

France
Cooper Power Tools SAS
a company of
Apex Tool Group, LLC
25 rue Maurice Chevalier
77330 Ozoir-La-Ferrière
France
Tel: +33 1 6443 2200
Fax: +33 1 6443 1717

China
Cooper (China) Co., Ltd.
a company of
Apex Tool Group, LLC
955 Sheng Li Road,
Heqing Pudong, Shanghai
China 201201
Tel: +86-21-28994176
Fax: +86-21-51118446

Mexico
Cooper Tools
de México S.A. de C.V.
a company of
Apex Tool Group, LLC
Vialidad El Pueblito #103
Parque Industrial Querétaro
Querétaro, QRO 76220
Mexico
Tel: +52 (442) 211-3800
Fax: +52 (442) 103-0443

Brazil
Cooper Tools Industrial Ltda.
a company of
Apex Tool Group, LLC
Av. Liberdade, 4055
Zona Industrial - Iporanga
SP Brazil
Tel: +55 15 2383929
Fax: +55 15 2383260

Hungary
Cooper Tools Hungaria Kft.
a company of
Apex Tool Group, LLC
Berkenyefa sor 7
Pf: 640
9027 Győr
Hungary
Tel: +36 96 66 1383
Fax: +36 96 66 1135

Apex Tool Group, LLC
1000 Lufkin Road
Apex, NC 27539
Phone: 919-387-0099
Fax: 919-387-2614
www.apextoolgroup.com

DOTCO®