

Parts Manual

45-8197

PL30-1212-1

04/21/2011

DOTCO®

12-12 Series

Saw



	12	S	1	2	XX	-	XX	OH
Product Classification								
12 = Ergo Handle								
Trottle Type								
S = Locking Lever								
Motor Size								
1 = 0.3 hp								
Handle Style								
2 = Right Angle								
Speed Options (RPM)								
Front Exhaust (Non-Vacuum)	Rear Exhaust (Non-Vacuum)	Front Exhaust (Vacuum Ready)						
06 = 12,000	82 = 12,000	73 = 12,000						
07 = 20,000	83 = 20,000	74 = 20,000						
Termination Code								
02 = Saw, 2" Blade, 1/4" Arbor								
03 = Vacuum Saw, 2" Blade, 1/4" Arbor								
Overhose Option (extra cost)								
OH = Overhose (rear exhaust models only)								

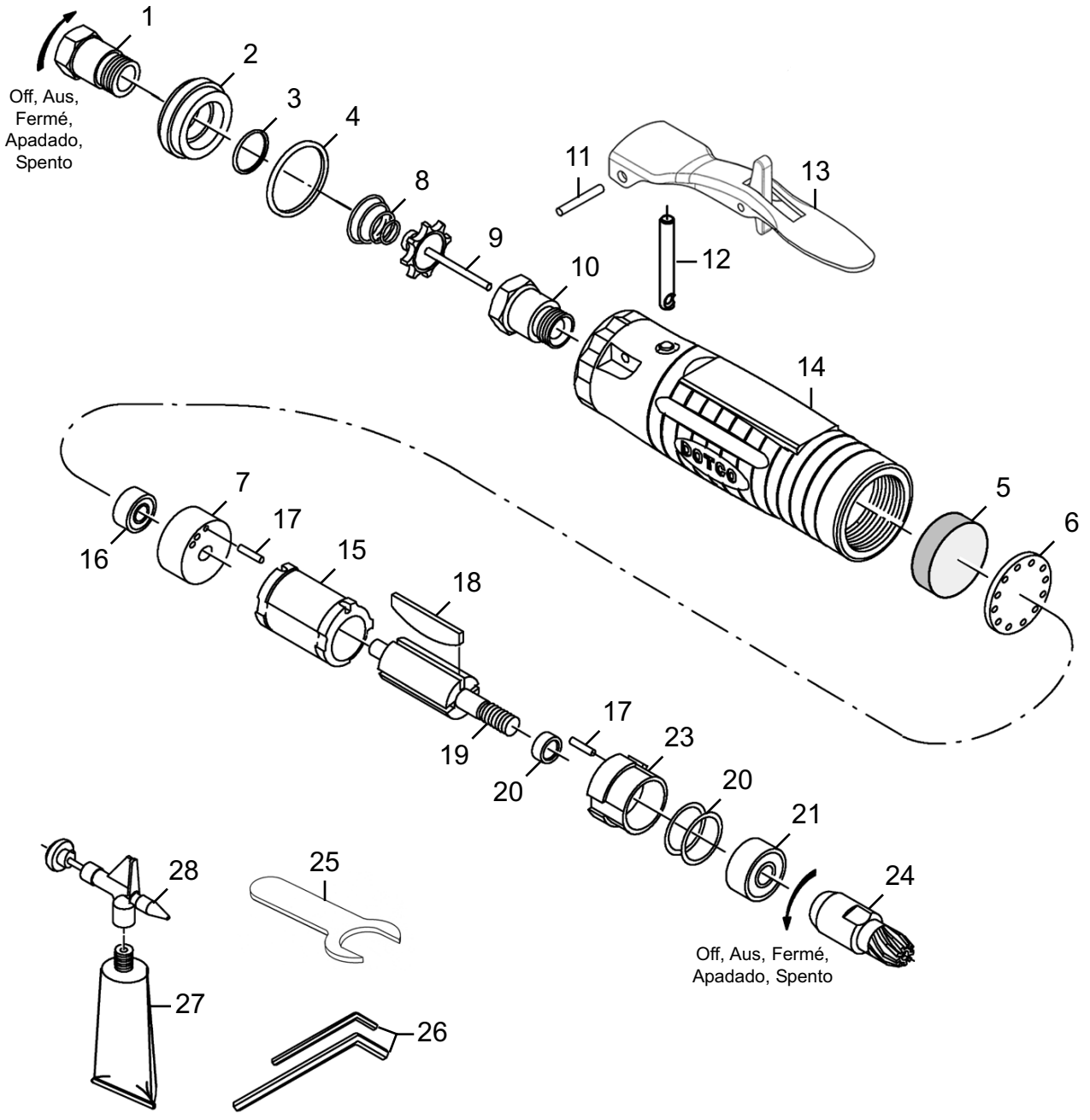
For additional product information visit our website at <http://www.apextoolgroup.com>

DOTCO

12-12 Series ERGO 0.4 hp Saws

“A”

Motor & Motor Housing Assemblies



DOTCO

12-12 Series ERGO 0.4 hp Saws

PL30-1212-1
December 14, 2006

Illustration "A" - Front Exhaust

Ref.	Number	#	●	Kit	EN	DE	FR	ES	IT
					Description	Benennung	Designation	Description	Descrizione
1	01-2505	1		K1	Inlet Adapter	Zwischenstück	Adaptateur	Adaptador	Adattatore
2	01-2506	1		K1	Exhaust Plug	Buchse	Bouchon	Tapón	Spina
3	2965	1	●	K1	O-Ring	O-Ring	Joint torique	Anillo "O"	Anello ad O
4	3036	1	●	K1	O-Ring	O-Ring	Joint torique	Anillo "O"	Anello ad O
5	01-1046	1	●	K1	Filter Disc	Platte	Plaque	Placa	Piattello
6	01-1016	1		K1	Filter Retainer	Haltevorrichtung	Bague d'arrêt	Retén	Fermo
7	1003	1			Rear Plate	Hintere Platte	Plaque arrière	Placa posterior	Piattello posteriore
8	01-2519	1	●	K2	Valve Spring	Druckfeder	Ressort	Resorte	Molla
9	01-2518	1		K2	Valve	Ventil	Soupape	Válvula	Valvola
10	01-2504	1		K2	Valve Seat	Ventilsitz	Siège de soupape	Asiento de la válvula	Sede valvola
11	1042	1		K2	Lever Pin	Stift	Goupille cylindrique	Pasador	Spina
12	01-1017	1		K2	Push Rod	Stange	Tige	Varilla	Asta
13	01-1267	1		K2	Lock-Off Lever Asm	Hebel	Levier	Palanca	Leva
14	01-1001	1			Motor Housing	Gehäuse	Corps	Caja	Corpo
15	1002	1			Cylinder	Zylinder	Cylindre	Cilindro	Cilindro
16	504	1	●	K3	Ball Bearing	Kugellager	Roulement à billes	Cojinete de bolas	Cuscinetto a sfera
17	1041	2	●	K3	Pin	Stift	Goupille cylindrique	Pasador	Spina
18	1006 *	4	●	K3	Rotor Blade	Rotorblatt	Palette	Alabe del rotor	Paletta del rotore
19	1017	1		K3	Spacer	Distanzstück	Entretoise	Espaciador	Distanziale
20	1355	1	●	K3	Shim Packet	Unterlegstück	Cale pelable	Calzo	Spessore
21	538	1	●	K3	Ball Bearing	Kugellager	Roulement à billes	Cojinete de bolas	Cuscinetto a sfera
22	1005	1			Rotor	Rotor	Rotor	El rotor	Il rotore
23	1064	1			Front Plate	Vorderplatte	Plaque de devanture	Placa frontal	Piattello anteriore
24	Table A	1		K4	Pinion	Pinion	Pignon	Piñón	Il pignone
25	14-0807	1			7/16" Wrench	Schraubenschlüssel	Clé plate	La llave	La chiave
26	14-0184	1			Hex Key	Schlüssel	Clavette	Llave	Chiave
	14-0186	1			Hex Key	Schlüssel	Clavette	Llave	Chiave
27	45-0980	1		K5	Gear Lube	Zahnrad-Schmieröl	Lubrifiant De Vitesse	Lubricante Del Engranaje	Olio lubrificante Dell'Ingranaggio
28	45-1982	1			Grease Gun	Schmierpresse	Pistolet De Graisse	Arma De Grasa	Ingrassatore a siringa
Repair Kits:									
K1	04-0155	1			Air Inlet Kit	Satz	Ensemble	Juego	Corredo
K2	04-0085	1			Throttle Kit	Satz	Ensemble	Juego	Corredo
K3	04-0042	1			Motor Kit	Satz	Ensemble	Juego	Corredo
K4	Table A	1			Bevel Gear Kit	Satz	Ensemble	Juego	Corredo
K5	04-0080	5			Gear Lube Kit	Satz	Ensemble	Juego	Corredo
*	04-0031	1			Rotor Blade Kit	Satz	Ensemble	Juego	Corredo

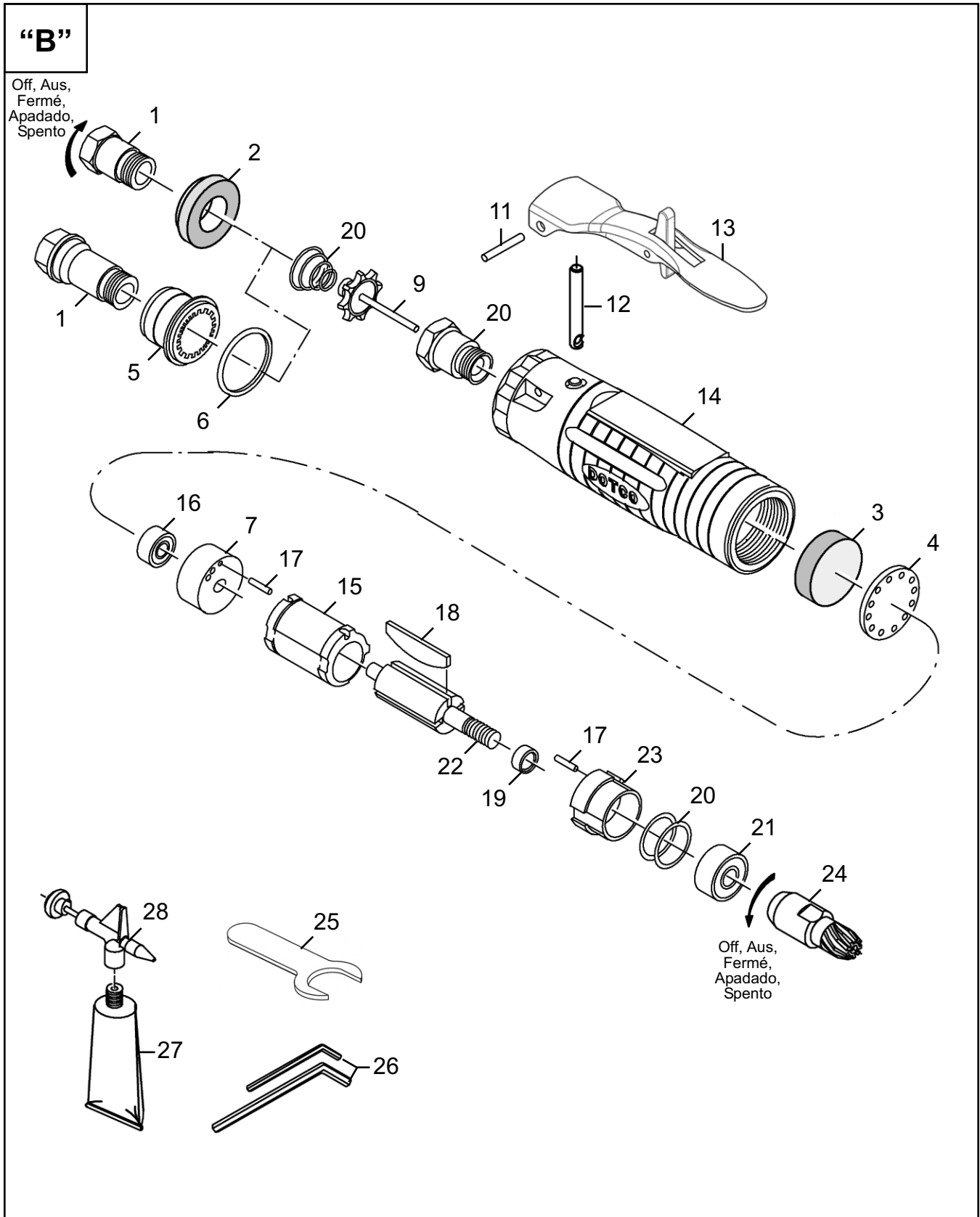
(#) Quantity / Stückzahl / Quantité / Cantidad / Quantità

Table "A"

Ref.	Description	Qty.	12-1206	Qty.	12-1207
24	Pinion	1	1066	1	1187
K4	Bevel Gear Kit	1	04-0158	1	04-0078

DOTCO

12-12 Series ERGO 0.4 hp Saws



DOTCO

12-12 Series ERGO 0.4 hp Saws

PL30-1212-1
December 14, 2006

Illustration "B" - Rear Exhaust

Ref.	Number	#	●	Kit	EN	DE	FR	ES	IT
					Description	Benennung	Designation	Description	Descrizione
1	Table B	1		K1	Inlet Adapter	Zwischenstück	Adaptateur	Adaptador	Adattatore
2	01-2520	1	●	K1	Diffuser	Diffuser	Diffuseur	Diffuseur	Diffusore
3	01-1046	1	●	K1	Filter Disc	Platte	Plaque	Placa	Piattello
4	01-1016	1		K1	Filter Retainer	Haltevorrichtung	Bague d'arrêt	Retén	Fermo
5	01-1032	1	●	K1	Muffler	Schalldämpfer	Silencieux	Silenciador	Silenziatore
6	3036	1	●	K1	O-Ring	O-Ring	Joint torique	Anillo "O"	Anello ad O
7	1003	1			Rear Plate	Hintere Platte	Plaque arrière	Placa posterior	Piattello posteriore
8	01-2519	1	●	K2	Valve Spring	Druckfeder	Ressort	Resorte	Molla
9	01-2518	1		K2	Valve	Ventil	Soupape	Válvula	Valvola
10	01-2504	1		K2	Valve Seat	Ventilsitz	Siège de soupape	Asiento de la válvula	Sede valvola
11	1042	1		K2	Lever Pin	Stift	Goupille cylindrique	Pasador	Spina
12	01-1017	1		K2	Push Rod	Stange	Tige	Varilla	Asta
13	01-1267	1		K2	Lock-Off Lever Asm	Hebel	Levier	Palanca	Leva
14	01-1001	1			Motor Housing	Gehäuse	Corps	Caja	Corpo
15	1002	1			Cylinder	Zylinder	Cylindre	Cilindro	Cilindro
16	504	1	●	K3	Ball Bearing	Kugellager	Roulement à billes	Cojinete de bolas	Cuscinetto a sfera
17	1041	2	●	K3	Pin	Stift	Goupille cylindrique	Pasador	Spina
18	1006 *	4	●	K3	Rotor Blade	Rotorblatt	Palette	Alabe del rotor	Paletta del rotore
19	1017	1		K3	Spacer	Distanzstück	Entretoise	Espaciador	Distanziale
20	1355	1	●	K3	Shim Packet	Unterlegstück	Cale pelable	Calzo	Spessore
21	538	1	●	K3	Ball Bearing	Kugellager	Roulement à billes	Cojinete de bolas	Cuscinetto a sfera
22	1005	1			Rotor	Rotor	Rotor	El rotor	Il rotore
23	1064	1			Front Plate	Vorderplatte	Plaque de devanture	Placa frontal	Piattello anteriore
24	Table B	1		K4	Pinion	Pinion	Pignon	Piñón	Il pignone
25	14-0807	1			7/16" Wrench	Schraubenschlüssel	Clé plate	La llave	La chiave
26	14-0184	1			Hex Key	Schlüssel	Clavette	Llave	Chiave
	14-0186	1			Hex Key	Schlüssel	Clavette	Llave	Chiave
27	45-0980	1		K5	Gear Lube	Zahnrad-Schmieröl	Lubrifiant De Vitesse	Lubricante Del Engranaje	Olio lubrificante Dell'Ingranaggio
28	45-1982	1			Grease Gun	Schmierpresse	Pistolet De Graisse	Arma De Grasa	Ingrassatore a siringa
Repair Kits:									
K1	Table B	1			Air Inlet Kit	Satz	Ensemble	Juego	Corredo
K2	04-0085	1			Throttle Kit	Satz	Ensemble	Juego	Corredo
K3	04-0042	1			Motor Kit	Satz	Ensemble	Juego	Corredo
K4	Table A	1			Bevel Gear Kit	Satz	Ensemble	Juego	Corredo
K5	04-0080	5			Gear Lube Kit	Satz	Ensemble	Juego	Corredo
*	04-0031	1			Rotor Blade Kit	Satz	Ensemble	Juego	Corredo

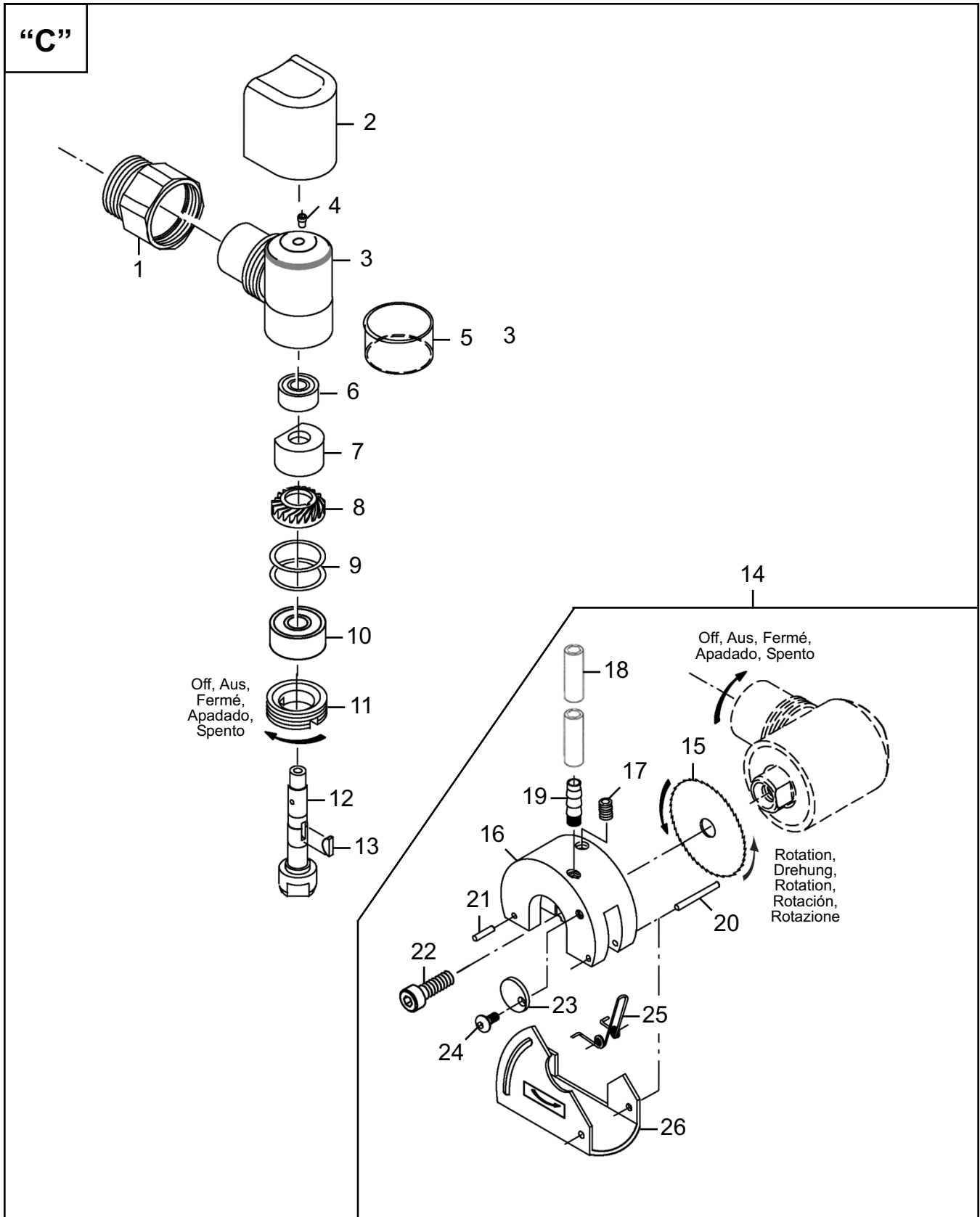
(#) Quantity / Stückzahl / Quantité / Cantidad / Quantità

Table "B"

Ref.	Description	Qty.	12-1273 12-1282	Qty.	12-1274 12-1283
1	Inlet Adapter (w/o OH)	1	01-2505	1	01-2505
	Inlet Adapter (w/ OH)	1	01-1031	1	01-1031
24	Pinion	1	1066	1	1187
K1	Air Inlet Kit (w/o OH)	1	04-0081	1	04-0081
	Air Inlet Kit (w/ OH)	1	04-0082	1	04-0082
K4	Bevel Gear Kit	1	04-0158	1	04-0078

DOTCO

12-12 Series ERGO 0.4 hp Saws



DOTCO

12-12 Series ERGO 0.4 hp Saws

PL30-1212-1
December 14, 2006

Illustration "C" - Angle Housing

Ref.	Number	#	●	Kit	EN	DE	FR	ES	IT
					Description	Benennung	Designation	Description	Descrizione
1	01-1235	1			Lock Ring	Verschlußring	Bague de verrouillage	Anillo de cierre	Anello di bloccaggio
2	01-1048	1		K6	Angle Head Cover	Deckel	Couvercle	Cubierta	Coperchio
3	1024	1			Angle Housing	Winkelkopfgehäuse	Cage d'équerre	Alojamiento angular	Corpo testina angolare
4	1463	1		K6	Grease Fitting	Schmiernippel	Monture de graisse	Accesorio de grasa	Ingrassatore
5	1356	1		K6	Wear Ring	Ring	Bague	Anillo	Anello
6	504	1		K6	Ball Bearing	Kugellager	Roulement à billes	Cojinete de bolas	Cuscinetto a sfera
7	1755	1		K6	Lube Disc	Scheibe	Disque	Disco	Disco
8	Table C	1		K4	Bevel Gear	Kegelrad	Engrenage conique	Engranaje cónico	Ingranaggio conico
9	1355	1		K6	Shim Packet	Unterlegstück	Cale pelable	Calzo	Spessore
10	538	1		K6	Ball Bearing	Kugellager	Roulement à billes	Cojinete de bolas	Cuscinetto a sfera
11	1025	1		K6	Lock Ring	Verschlußring	Bague de verrouillage	Anillo de cierre	Anello di bloccaggio
12	1069	1			Spindle	Spindel	Arbre	Husillo	Mandrino
13	1062	2		K6	Woodruff Key	Woodruff Schluessel	Clavette Woodruff	Llave Woodruff	Chiavetta woodruff
Terminations 02 & 03:									
14	Table C	1			Saw Assembly	Montage	Assemblage	Ensamblaje	Assemblaggio
15	(1)	1			Saw Blade	Lamelle	Lame	Cuchilla	Paletta
16	Table C	1			Saw Housing	Gehäuse	Corps	Caja	Corpo
17	1403	1			Set Screw	Stellschraube	Vis de pression	Tornillo fijador	Vite di arresto
18	Table C	1			Tubing	Rohr	Tuyautage	Tuberia	Tubazione
19	Table C	1			Fitting	Paßstück	Monture	Accesorio	Accessorio
20	1856	1			Pin	Stift	Goupille cylindrique	Pasador	Spina
21	3062	1			Pin	Stift	Goupille cylindrique	Pasador	Spina
22	14-1867	1			Spindle Bolt	Bolzen	Boulon	Perno	Dado
23	1797	1			Depth Adjusting Cam	Nocken	Came	Leva	Camma
24	1798	1			Adjusting Screw	Einstellschraube	Vis de réglage	Tornillo de ajuste	Vite di regolazione
25	1796	1			Spring	Druckfeder	Ressort	Resorte	Molla
26	14-1869	1			Saw Guard	Schutzvorrichtung	Protection	Guarda	Protezione
Repair Kits:									
K6	04-0159	1			Angle Head Kit	Satz	Ensemble	Juego	Corredo
K4	Table C1	1			Bevel Gear Kit	Satz	Ensemble	Juego	Corredo

(#) Quantity / Stückzahl / Quantité / Cantidad / Quantità

(1) 1/4" Arbor - 2" Diameter maximum: Refer to Product Catalog

Table "C"

Ref.	Description	Output Terminations			
		Qty.	-02 Non-Vacuum	Qty.	-03 Vacuum
14	Saw Assembly	1	14-1866	1	14-1886
16	Saw Housing	1	14-1868	1	14-1874
18	Tubing		---	1	14-1871
19	Fitting		---	1	14-1872

Table "C1"

Ref.	Description	Qty.	12-1206	Qty.	12-1207
			12-1273		12-1274
			12-1282		
8	Bevel Gear	1	1067	1	1188
K4	Bevel Gear Kit	1	04-0158	1	04-0078

Sales & Service Centers

Note: All locations may not service all products. Please contact the nearest Sales & Service Center for the appropriate facility to handle your service requirements.

Dallas, TX
**Apex Tool Group
Sales & Service Center**
1470 Post & Paddock
Grand Prairie, TX 75050
Tel: 972-641-9563
Fax: 972-641-9674

Detroit, MI
**Apex Tool Group
Sales & Service Center**
2630 Superior Court
Auburn Hills, MI 48326
Tel: 248-391-3700
Fax: 248-391-7824

Houston, TX
**Apex Tool Group
Sales & Service Center**
6550 West Sam Houston
Parkway North, Suite 200
Houston, TX 77041
Tel: 713-849-2364
Fax: 713-849-2047

Lexington, SC
Apex Tool Group
670 Industrial Drive
Lexington, SC 29072
Tel: 800-845-5629
Tel: 803-951-7544
Fax: 803-358-7681

Los Angeles, CA
**Apex Tool Group
Sales & Service Center**
15503 Blackburn Avenue
Norwalk, CA 90650
Tel: 562-623-4457
Fax: 562-802-1718

Seattle, WA
**Apex Tool Group
Sales & Service Center**
2865 152nd Avenue N.E.
Redmond, WA 98052
Tel: 425-497-0476
Fax: 425-497-0496

York, PA
**Apex Tool Group
Sales & Service Center**
3990 East Market Street
York, PA 17402
Tel: 717-755-2933
Fax: 717-757-5063

Canada
**Apex Tool Group
Sales & Service Center**
5925 McLaughlin Road
Mississauga, Ont. L5R 1B8
Canada
Tel: 905-501-4785
Fax: 905-501-4786

Germany
Cooper Power Tools
GmbH & Co. OHG
a company of
Apex Tool Group, LLC
Industriestraße 1
73463 Westhausen
Germany
Tel: +49 (0) 73 63 81 0
Fax: +49 (0) 73 63 81 222

England
Cooper Power Tools
GmbH & Co. OHG
a company of
Apex Tool Group, LLC
C/O Spline Gauges
Piccadilly, Tamworth
Staffordshire B78 2ER
United Kingdom
Tel: +44 1827 8741 28
Fax: +44 1827 8741 28

France
Cooper Power Tools SAS
a company of
Apex Tool Group, LLC
25 rue Maurice Chevalier
77330 Ozoir-La-Ferrière
France
Tel: +33 1 6443 2200
Fax: +33 1 6443 1717

China
Cooper (China) Co., Ltd.
a company of
Apex Tool Group, LLC
955 Sheng Li Road,
Heqing Pudong, Shanghai
China 201201
Tel: +86-21-28994176
Fax: +86-21-51118446

Mexico
Cooper Tools
de México S.A. de C.V.
a company of
Apex Tool Group, LLC
Vialidad El Pueblito #103
Parque Industrial Querétaro
Querétaro, QRO 76220
Mexico
Tel: +52 (442) 211-3800
Fax: +52 (442) 103-0443

Brazil
Cooper Tools Industrial Ltda.
a company of
Apex Tool Group, LLC
Av. Liberdade, 4055
Zona Industrial - Iporanga
SP Brazil
Tel: +55 15 2383929
Fax: +55 15 2383260

Hungary
Cooper Tools Hungaria Kft.
a company of
Apex Tool Group, LLC
Berkenyefa sor 7
Pf: 640
9027 Győr
Hungary
Tel: +36 96 66 1383
Fax: +36 96 66 1135

Apex Tool Group, LLC
1000 Lufkin Road
Apex, NC 27539
Phone: 919-387-0099
Fax: 919-387-2614
www.apextoolgroup.com

DOTCO®