

Parts Manual
45-8214EN
PL30-1211
12/14/2012

DOTCO[®]

12-11 Series
Inline Extended Grinders



For additional product information visit our website at <http://www.apextoolgroup.com>

	12	X	1	1	XX	-	36	XX	OH																														
<p><u>Tool Series</u> 12 = Ergo Grinder/Sander</p>																																							
<p><u>Throttle Type</u> L = Locking Lever S = Locking Lever</p>																																							
<p><u>Motor Size</u> 1 = 0.3 hp</p>																																							
<p><u>Handle Style</u> 1 = Straight, Extended</p>																																							
<p><u>Speed Options (RPM)</u></p> <table border="0"> <tr> <td>Front Exhaust (3" Extended)</td> <td>Rear Exhaust (3" Extended)</td> <td>Front Exhaust (5" Extended)</td> <td>Rear Exhaust (5" Extended)</td> <td colspan="6"></td> </tr> <tr> <td>00 = 28,000</td> <td>80 = 28,000</td> <td>01 = 28,000</td> <td>81 = 28,000</td> <td colspan="6"></td> </tr> <tr> <td>11 = 25,000</td> <td></td> <td>12 = 25,000</td> <td></td> <td colspan="6"></td> </tr> </table>										Front Exhaust (3" Extended)	Rear Exhaust (3" Extended)	Front Exhaust (5" Extended)	Rear Exhaust (5" Extended)							00 = 28,000	80 = 28,000	01 = 28,000	81 = 28,000							11 = 25,000		12 = 25,000							
Front Exhaust (3" Extended)	Rear Exhaust (3" Extended)	Front Exhaust (5" Extended)	Rear Exhaust (5" Extended)																																				
00 = 28,000	80 = 28,000	01 = 28,000	81 = 28,000																																				
11 = 25,000		12 = 25,000																																					
<p><u>Termination Code</u> 36 = 300 Series 1/4" Capacity Collet (3-piece)</p>																																							
<p><u>Optional Collet (no extra cost)</u> 08 = 1/8" 14 = 7/32" M6 = 6mm</p>																																							
<p><u>Overhose Option (extra cost)</u> OH = Overhose (rear exhaust models only)</p>																																							

Description and Instructions

Language Version:

This Parts Manual is the ***“Original Instructions”*** intended for all persons who will use or repair these tools.

Product Identification:

Refer to the “Model Nomenclature” page in this document.

Noise and Vibration:

Refer to documents CE-1007DC and CE-1007TD.

General Description:

Air powered inline extended grinder.

Intended Use:

These air powered grinders are intended for material removal applications using carbide burs, mounted points, or mounted wheels. Use only for their designated purpose. Do not use as a hammer, lever or other improper usage that can cause tool damage and operator injury.

Copyright protection:

Apex Tool Group, LLC reserves the right to modify, supplement or improve this document or the product without prior notice. This document may not be reproduced in any way, shape or form, in full or parts thereof, or copied to another natural or machine readable language or to a data carrier, whether electronic, mechanical, optical or otherwise without the express permission of Apex Tool Group, LLC.

General Safety:

Refer to General Safety document, CE-2007 for general safety operating instructions for this equipment.

Lubrication:

Refer to lubrication document, PL65-LUB, for general lubrication instructions.

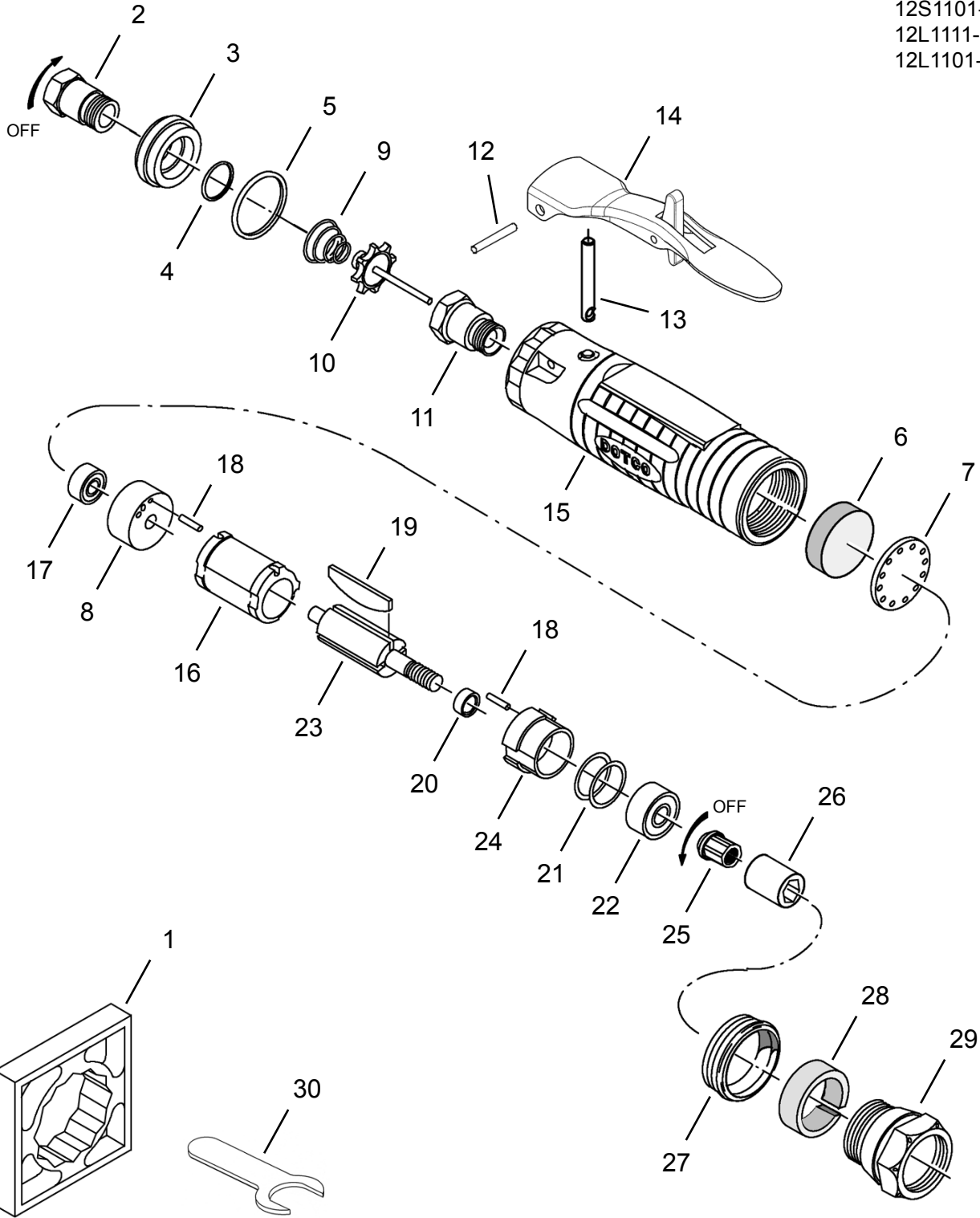
CAUTION: Do not use lubricant substitutes. This could result in damage to the tool.

Dotco®
Front Exhaust Grinders

“A”

Models

- 12L1100-36
- 12L1101-36
- 12S1101-36
- 12L1111-36
- 12L1101-36



Dotco®
Front Exhaust Grinders

45-8214EN
12/14/2012

Illustration "A"

Ref	Number	#	X	EN	
				Description	
1	14-0851	1			Housing Wrench
2	01-2505	1	K1		Inlet Adapter
3	01-2506	1	K1		Exhaust Plug
4	2965	1	K1		O-Ring
5	3036PT	1	K1		O-Ring
6	01-1046	1	K1		Filter Disc
7	01-1016	1	K1		Filter Retainer
8	1003PT	1			Rear Plate (includes 1 Ref. 18)
9	01-2519	1	K2		Valve Spring
10	01-2518	1	K2		Valve
11	01-2504	1	K2		Valve Seat
12	1042	1	K2		Lever Pin
13	01-1017	1	K2		Push Rod
14	01-1267	1	K2		Lock-Off Lever Assembly
15	01-1001	1			Motor Housing
16	1002PT	1			Cylinder
17	504PT	1	K3		Ball Bearing
18	1041	2	K3		Pin
19	Table "A"	4	K3		Rotor Blade (*)
20	1017PT	1	K3		Spacer
21	1355	1	K3		Shim Packet
22	538PT	1	K3		Ball Bearing
23	1005S	1			Rotor
24	1064PT	1			Front Plate (includes 1 Ref. 18)
25	1708PT	1			Coupling Nut
26	02-1711	1			Coupling
27	01-1045	1	K4		Lock Ring Sleeve
28	01-1021	1	K1		Muffler Felt
29	01-1049	1	K4		Lock Ring
30	14-0807	1			Wrench (7/16")
	14-0811	1			Wrench (11/16")
Repair Kits					
K1	04-0144	1	1		Air Inlet Kit
K2	04-0143	1	1		Throttle Kit
K3	Table "A"	1	1		Motor Kit
K4	04-0145	1	1		Housing Kit
*	Table "A"	1	1		Rotor Blade Kit (contains 50 Rotor Blades)

(#) Quantity

(X) Included in Repair Kit (K#) or Recommended Spare Parts (quantity shown based on 1-5 tools in operation)

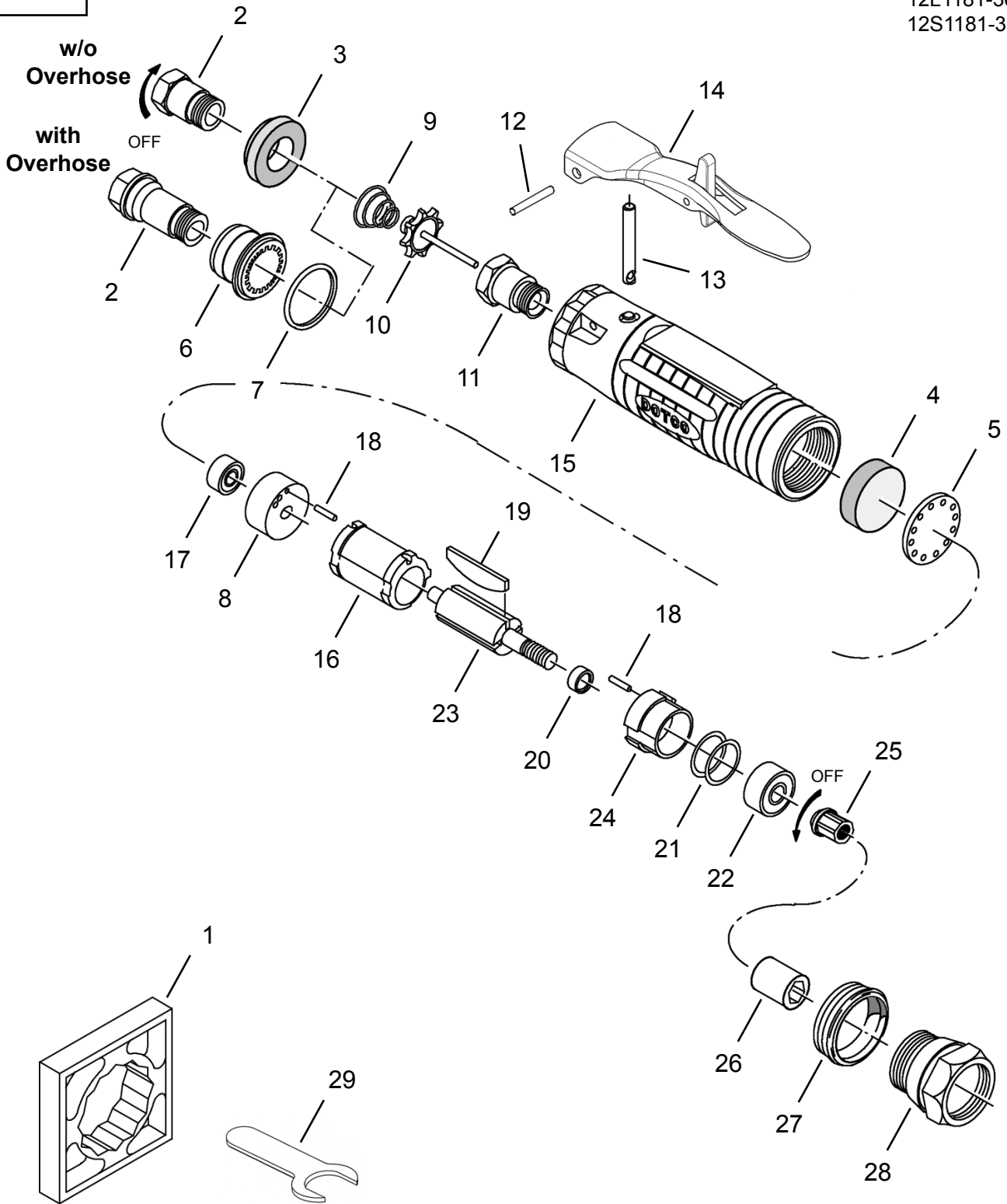
Table "A"

Ref.	Description	#	12(-)1100		12(-)1111	
			12(-)1101	#	12(-)1112	#
19	Rotor Blade	4	1006PT	4	1906PT	
K3	Motor Kit	1	04-0042	1	04-0044	
*	Rotor Blade Kit	1	04-0031	1	04-0032	

Dotco®
Rear Exhaust Grinders

“B”

Models
12L1180-36
12L1181-36
12S1181-36



Dotco®
Rear Exhaust Grinders

45-8214EN
12/14/2012

Illustration "B"

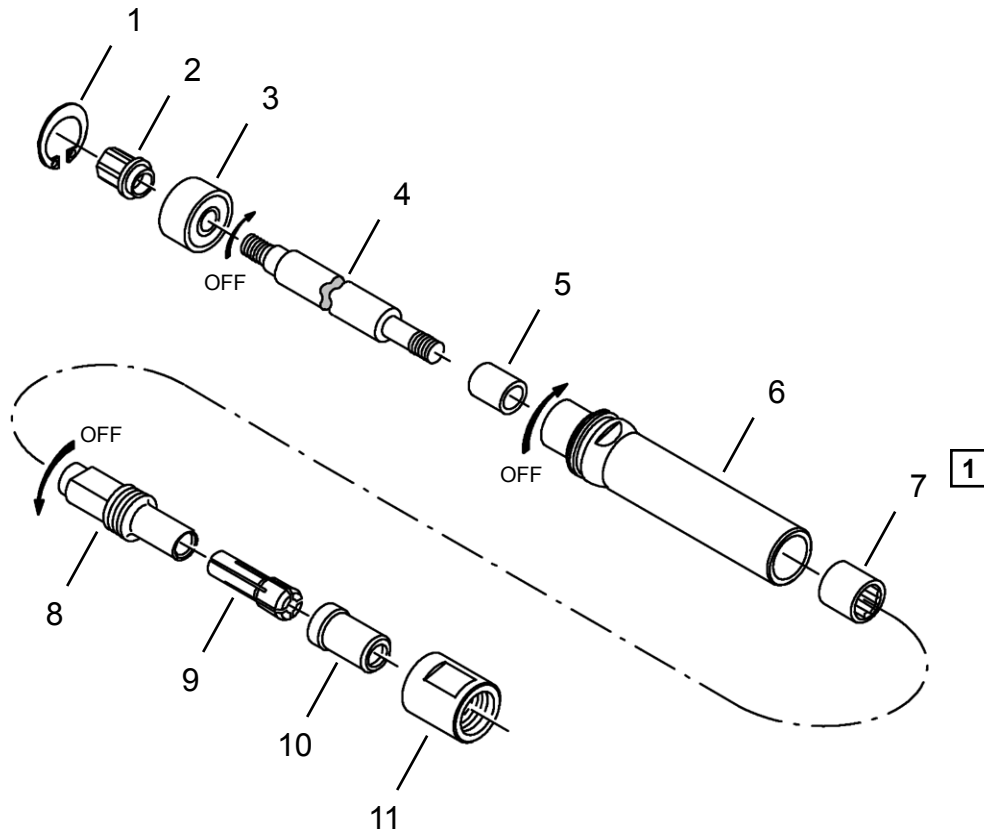
Ref	Number	#	X	EN	
					Description
1	14-0851	1			Housing Wrench
2	01-2505	1	K5		Inlet Adapter (non Overhose version)
	01-1031	1	K5		Inlet Adapter (Overhose version)
3	01-2520	1	K5		Diffuser
4	01-1046	1	K5		Filter Disc
5	01-1016	1	K5		Filter Retainer
6	01-1032	1	K5		Muffler (Overhose version)
7	3036PT	1	K5		O-Ring (Overhose version)
8	1003PT	1			Rear Plate (includes 1 Ref. 18)
9	01-2519	1	K2		Valve Spring
10	01-2518	1	K2		Valve
11	01-2504	1	K2		Valve Seat
12	1042	1	K2		Lever Pin
13	01-1017	1	K2		Push Rod
14	01-1267	1	K2		Lock-Off Lever Assembly
15	01-1001	1			Motor Housing
16	1002PT	1			Cylinder
17	504PT	1	K3		Ball Bearing
18	1041	2	K3		Pin
19	1006PT	4	K3		Rotor Blade (*)
20	1017PT	1	K3		Spacer
21	1355	1	K3		Shim Packet
22	538PT	1	K3		Ball Bearing
23	1005S	1			Rotor
24	1064PT	1			Front Plate (includes 1 Ref. 18)
25	1708PT	1			Coupling Nut
26	02-1711	1			Coupling
27	01-1045	1	K6		Lock Ring Sleeve
28	01-1044	1	K6		Lock Ring
29	14-0807	1			Wrench (7/16")
	14-0811	1			Wrench (11/16")
Repair Kits					
K2	04-0143	1	1		Throttle Kit
K3	04-0042	1	1		Motor Kit
K5	04-0140	1	1		Air Inlet Kit (non Overhose version)
	04-0141	1	1		Air Inlet Kit (Overhose version)
K6	04-0146	1	1		Housing Kit
*	04-0031	1	1		Rotor Blade Kit (contains 50 Rotor Blades)

(#) Quantity

(X) Included in Repair Kit (K#) or Recommended Spare Parts (quantity shown based on 1-5 tools in operation)

Dotco®
3" and 5" Extension Assemblies

“C”



1 Press replacement bearing 1/4" below the end of the spindle housing.

3" and 5" Extension Assemblies

Illustration "C"

Ref	Number	#	X	EN
				Description
1	1098	1	K7	Retaining Ring
2	1707PT	1		Coupling Nut
3	505PT	1	K7	Ball Bearing
4	1748PT	1		Spindle (3" Extended)
	1561PT	1		Spindle (5" Extended)
5	1562	1		Sleeve
6	02-6124	1		Housing (3" Extended)
	6125PT	1		Housing (5" Extended)
7	1514PT	1	K7	Needle Bearing
8	1054PT	1		Chuck Body
9	308PT	1		Collet (1/4")
10	1053PT	1	K7	Nosepiece
11	1058PT	1	K7	Collet Chuck Cap
Repair Kits				
K7	04-0051	1	1	Output Kit

(#) Quantity

(X) Included in Repair Kit (K#) or Recommended Spare Parts (quantity shown based on 1-5 tools in operation)

Sales & Service Centers

Note: All locations may not service all products. Please contact the nearest Sales & Service Center for the appropriate facility to handle your service requirements.

Detroit, MI

**Apex Tool Group
Sales & Service Center**
2630 Superior Court
Auburn Hills, MI 48326
Tel: 248-393-5640
Fax: 248-391-6295

Houston, TX

**Apex Tool Group
Sales & Service Center**
6550 West Sam Houston
Parkway North, Suite 200
Houston, TX 77041
Tel: 713-849-2364
Fax: 713-849-2047

Lexington, SC

Apex Tool Group
670 Industrial Drive
Lexington, SC 29072
Tel: 800-845-5629
Tel: 803-951-7544
Fax: 803-358-7681

Los Angeles, CA

**Apex Tool Group
Sales & Service Center**
6881 Stanton Avenue
Unit B
Buena Park, CA 90621
Tel: 562-623-4457
Fax: 562-802-1718

Seattle, WA

**Apex Tool Group
Sales & Service Center**
2865 152nd Avenue N.E.
Redmond, WA 98052
Tel: 425-497-0476
Fax: 425-497-0496

York, PA

**Apex Tool Group
Sales & Service Center**
3990 East Market Street
York, PA 17402
Tel: 717-755-2933
Fax: 717-757-5063

Canada

**Apex Tool Group
Sales & Service Center**
5925 McLaughlin Road
Mississauga, Ont. L5R 1B8
Canada
Tel: 905-501-4785
Fax: 905-501-4786

Germany

**Apex Tool Group
GmbH & Co. OHG**
Industriestraße 1
73463 Westhausen
Germany
Tel: +49 (0) 73 63 81 0
Fax: +49 (0) 73 63 81 222

England

**Apex Tool Group
GmbH & Co. OHG**
C/O Spline Gauges
Piccadilly, Tamworth
Staffordshire B78 2ER
United Kingdom
Tel: +44 1827 8741 28
Fax: +44 1827 8741 28

France

Apex Tool Group S.N.C.
25 rue Maurice Chevalier
B.P. 28
77831 Ozoir-La-Ferrière
Cedex, France
Tel: +33 1 64 43 22 00
Fax: +33 1 64 43 17 17

China

Cooper (China) Co., Ltd.
a company of
Apex Tool Group, LLC
955 Sheng Li Road,
Heqing Pudong, Shanghai
China 201201
Tel: +86-21-28994176
Fax: +86-21-51118446

Mexico

**Cooper Tools
de México S.A. de C.V.**
a company of
Apex Tool Group, LLC
Vialidad El Pueblito #103
Parque Industrial Querétaro
Querétaro, QRO 76220
Mexico
Tel: +52 (442) 211-3800
Fax: +52 (442) 103-0443

Brazil

Cooper Tools Industrial Ltda.
a company of
Apex Tool Group, LLC
Av. Liberdade, 4055
Zona Industrial - Iporanga
18087-170 Sorocaba
SP Brazil
Tel: +55 15 2383929
Fax: +55 15 2383260

Hungary

**Apex Tool Group
Hungaria Kft**
Platánfa u.2
9027 Győr
Hungary
Tel: +36 96 66 1383
Fax: +36 96 66 1135

Apex Tool Group, LLC
1000 Lufkin Road
Apex, NC 27539
Phone: 919-387-0099
Fax: 919-387-2614
www.apextoolgroup.com

DOTCO®