



**Termination -36**



**Terminations -14 and -16**



**Dotco®**  
Nomenclature

**45-8158EN**  
08/24/2015

	<b>12</b>	<b>X</b>	<b>1</b>	<b>0</b>	<b>XX</b>	<b>-</b>	<b>XX</b>	<b>XX</b>	<b>OH</b>	<b>LH</b>										
<u>Product Type</u> 12 = Ergo Handle Grinder																				
<u>Throttle Type</u> L = Locking Lever S = Locking Lever																				
<u>Motor Size</u> 1 = 0.3 hp																				
<u>Handle Style</u> 0 = Straight																				
<u>Speed Options (RPM)</u> <table border="0"> <tr> <td><b>Front Exhaust</b></td> <td><b>Rear Exhaust</b></td> </tr> <tr> <td>00 = 30,000</td> <td>76 = 18,000</td> </tr> <tr> <td>01 = 34,000</td> <td>80 = 30,000</td> </tr> <tr> <td>03 = 25,000</td> <td>81 = 34,000</td> </tr> <tr> <td>08 = 20,000</td> <td>82 = 25,000</td> </tr> </table>	<b>Front Exhaust</b>	<b>Rear Exhaust</b>	00 = 30,000	76 = 18,000	01 = 34,000	80 = 30,000	03 = 25,000	81 = 34,000	08 = 20,000	82 = 25,000										
<b>Front Exhaust</b>	<b>Rear Exhaust</b>																			
00 = 30,000	76 = 18,000																			
01 = 34,000	80 = 30,000																			
03 = 25,000	81 = 34,000																			
08 = 20,000	82 = 25,000																			
<u>Termination Code</u> 14 = 3" Cut-Off Wheel (1/4"-20 Thread) 16 = 3" Cut-Off Wheel (3/8"-24 Thread) 36 = 300 Series 3-piece collet (1/4" capacity)																				
<u>Optional Collet (no extra cost)</u> 08 = 1/8" 14 = 7/32" M6 = 6mm																				
<u>Overhose Option (extra cost)</u> OH = Overhose (rear exhaust models only)																				
<u>Options</u> LH = Left Hand Rotation																				

# Dotco®

## Specifications

Model *	Exhaust	Termination	Free Speed (rpm)	Abrasive Capacity	Weight		Length		Air Inlet
					lbs.	kg	in.	mm	
12L1000-36	Front	1/4" Collet	30,000	1/2" Carbide Bur 1" Mounted Wheel	0.8	0.36	6.0	152	1/4"
12L1000-36LH	Front	1/4" Collet	30,000	1/2" Carbide Bur 1" Mounted Wheel	0.8	0.36	6.0	152	1/4"
12S1000-36	Front	1/4" Collet	30,000	1/2" Carbide Bur 1" Mounted Wheel	0.8	0.36	6.0	152	1/4"
12L1001-36	Front	1/4" Collet	34,000	1/2" Carbide Bur 1" Mounted Wheel	0.8	0.36	6.0	152	1/4"
12L1003-36	Front	1/4" Collet	25,000	1/2" Carbide Bur 1" Mounted Wheel	0.8	0.36	6.0	152	1/4"
12L1003-36LH	Front	1/4" Collet	25,000	1/2" Carbide Bur 1" Mounted Wheel	0.8	0.36	6.0	152	1/4"
12S1003-36	Front	1/4" Collet	25,000	1/2" Carbide Bur 1" Mounted Wheel	0.8	0.36	6.0	152	1/4"
12S1008-36	Front	1/4" Collet	20,000	1/2" Carbide Bur 1" Mounted Wheel	0.8	0.36	6.0	152	1/4"
12L1028-36	Rear	1/4" Collet	20,000	1/2" Carbide Bur 1" Mounted Wheel	0.8	0.36	6.0	152	1/4"
12S1028-36	Rear	1/4" Collet	20,000	1/2" Carbide Bur 1" Mounted Wheel	0.8	0.36	6.0	152	1/4"
12L1045-36	Front	1/4" Collet	12,000	1/2" Carbide Bur 1" Mounted Wheel	0.8	0.36	6.0	152	1/4"
12L1046-36	Front	1/4" Collet	18,000	1/2" Carbide Bur 1" Mounted Wheel	0.8	0.36	6.0	152	1/4"
12L1076-36OH	Rear	1/4" Collet	18,000	1/2" Carbide Bur 1" Mounted Wheel	0.8	0.36	6.0	152	1/4"
12L1080-36	Rear	1/4" Collet	30,000	1/2" Carbide Bur 1" Mounted Wheel	0.8	0.36	6.0	152	1/4"
12S1080-36	Rear	1/4" Collet	30,000	1/2" Carbide Bur 1" Mounted Wheel	0.8	0.36	6.0	152	1/4"
12L1081-36	Rear	1/4" Collet	34,000	1/2" Carbide Bur 1" Mounted Wheel	0.8	0.36	6.0	152	1/4"
12S1081-36	Rear	1/4" Collet	34,000	1/2" Carbide Bur 1" Mounted Wheel	0.8	0.36	6.0	152	1/4"
12L1082-14	Rear	3" Cut-Off Wheel	25,000	3" Cut-Off Wheel	1.5	0.70	7.7	196	1/4"
12L1082-16	Rear	3" Cut-Off Wheel	25,000	3" Cut-Off Wheel	1.5	0.70	7.7	196	1/4"
12L1082-36	Rear	1/4" Collet	25,000	1/2" Carbide Bur 1" Mounted Wheel	0.8	0.36	6.0	152	1/4"
12S1082-36	Rear	1/4" Collet	25,000	1/2" Carbide Bur 1" Mounted Wheel	0.8	0.36	6.0	152	1/4"

\* Note: 12L10 and 12S10 have the same throttle configuration

**Description and Instructions**

The original language of this manual is English.

**Product Safety Information:**

Intended Use:

This pneumatic grinder is to be used only for removing material by utilizing appropriate abrasive wheels, rotary files or other material removal cutting devices.

For additional product safety information refer to Apex Tool Group, LLC or Apex Tool Group GmbH & Co. OHG document GS-2013, General Safety Pneumatic Material Removal.



The grinder must not be modified in any manner unless approved in writing by Apex Tool Group, LLC or Apex Tool Group GmbH & Co. OHG. All safety devices must be properly installed and maintained in good working order.

**EC Declaration of Conformity:**

We affirm that this machine is in accordance with the following EC regulations (2006/42/EC). Applied harmonized standards are ISO 12100:2010.

The name, job function and address of the person authorized to compile the technical file.

Mr. Vishnu Irigireddy  
 Director of Global R&D- Mechanical Engineering  
 Apex Tool Group  
 670 Industrial Drive  
 Lexington, SC 29072

Signature: Vishnu Irigireddy  
 Date: 06/24/2015

**Noise and Vibration:**

Sound Level: ≤ 81 dB(A)

Vibration: < 2.5 m/s<sup>2</sup>

**Air Line Lubrication:**

Use Apex Tool Group, LLC or Apex Tool Group GmbH & Co. OHG's lightweight air tool oil 500021 (available in quantities shown in the following chart) or an SAE-5 lightweight spindle oil.

Part No.	Packaged	Designation
540397	1 Quart (0.94 liter)	Airlube 10W/NR-420LB DR
533485	1 US Gallon (3.78 liter)	Airlube 10W/NR-420LB DR

**Air Supply Line:**

Parameter	Description
Air Hose	Minimum inside diameter: 1/4" (6.4mm) Maximum length: 8.0' (2.4 m)
Working pressure range	Performance rated at: 90 psi (620 kPa)
Compressed air	Air quality according to ISO 8573-1, quality class 2.4.3 The compressed air must be clean and dry.

**Service and Repair:**

Tool service and repair should be performed by an authorized Apex Tool Group, LLC or Apex Tool Group GmbH & Co. OHG Center. Refer to the last page of this manual for locations.

**Disposal:**



Observe local disposal guidelines for all components of this tool and its packaging.

**Copyright Protection:**

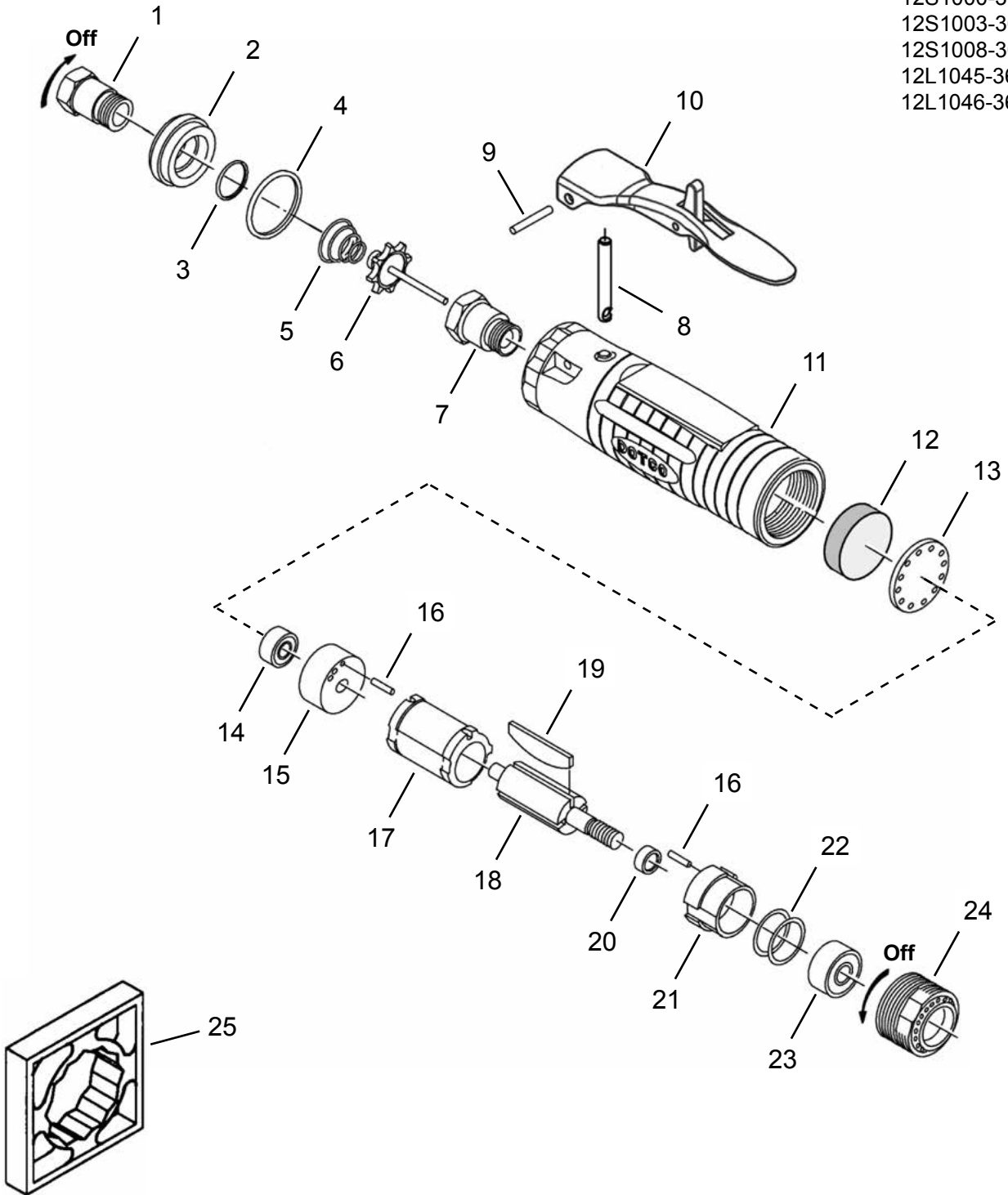
Apex Tool Group, LLC or Apex Tool Group GmbH & Co. OHG reserves the right to modify, supplement or improve this document or the product without prior notice. This document may not be reproduced in any way, shape or form, in full or parts thereof, or copied to another natural or machine readable language or to a data carrier, whether electronic, mechanical, optical or otherwise without the express permission of Apex Tool Group, LLC or Apex Tool Group GmbH & Co. OHG

**Dotco®**  
Front Exhaust Motor Assembly

“A”

**Models**

- 12L1000-36
- 12L1001-36
- 12L1003-36
- 12S1000-36
- 12S1003-36
- 12S1008-36
- 12L1045-36
- 12L1046-36



**Dotco®**  
Front Exhaust Motor Assembly

**45-8158EN**  
08/24/2015

**Illustration "A"**

Ref	Number	#	X	EN	
				Description	
1	01-2505	1	1	Air Inlet Adapter	
2	01-2506	1	1	Exhaust Plug	
3	2965	1	3	O-Ring	
4	3036PT	1	3	O-Ring	
5	01-2519	1	3	Valve Spring	
6	01-2518	1		Valve	
7	01-2504	1		Valve Seat	
8	01-1017	1		Push Rod	
9	1042	1	1	Throttle Lever Pin	
10	01-1267	1	1	Throttle Lever	
11	01-1001	1		Motor Housing	
12	01-1046	1	3	Filter Disc	
13	01-1016	1	1	Filter Retainer	
14	504PT	1	2	Ball Bearing	
15	Table "A"	1		Rear Plate (includes 1 Ref. 16)	
16	1041	2		Locating Pin	
17	1002PT	1		Cylinder	
18	Table "A"	1		Rotor	
19	Table "A"	4	12	Rotor Blade	
20	1017PT	1		Rotor Spacer	
21	Table "A"	1		Front Plate (includes 1 Ref. 16)	
22	1355	1		Shim Packet	
23	538PT	1	2	Ball Bearing	
24	Table "A"	1		Lock Ring	
25	14-0851	1		Housing Wrench (not included with tool)	

(#) Quantity

(X) Recommended Spare Parts (quantity shown based on 1-5 tools in operation)

**Table "A"**

Right Hand Rotation Models											
Ref.	Description	#	12L1000-36 12S1000-36	#	12L1001-36	#	12L1003-36 12S1003-36	#	12S1008-36 12L1046-36	#	12L1045-36
15	Rear Plate	1	1003PT	1	1003PT	1	1003PT	1	1003PT	1	1003PT
18	Rotor	1	1005S	1	02-1214S	1	1005S	1	1005S	1	1005S
19	Rotor Blade	4	1006PT	3	1006PT	4	1906PT	4	1906PT	4	1906PT
21	Front Plate	1	1004PT	1	1323	1	1004PT	1	1004PT	1	1004PT
24	Lock Ring	1	1014PT	1	1014PT	1	1951PT	1	2273PT	1	2172PT
Left Hand Rotation Models											
Ref.	Description	#	12L1000-36LH	#		#	12L1003-36LH	#		#	
15	Rear Plate		2157PT			1	2157PT				
18	Rotor		1005S			1	1005S				
19	Rotor Blade		1006PT			4	1906PT				
21	Front Plate		2158PT			1	2158PT				
24	Lock Ring		1014PT			1	1014PT				

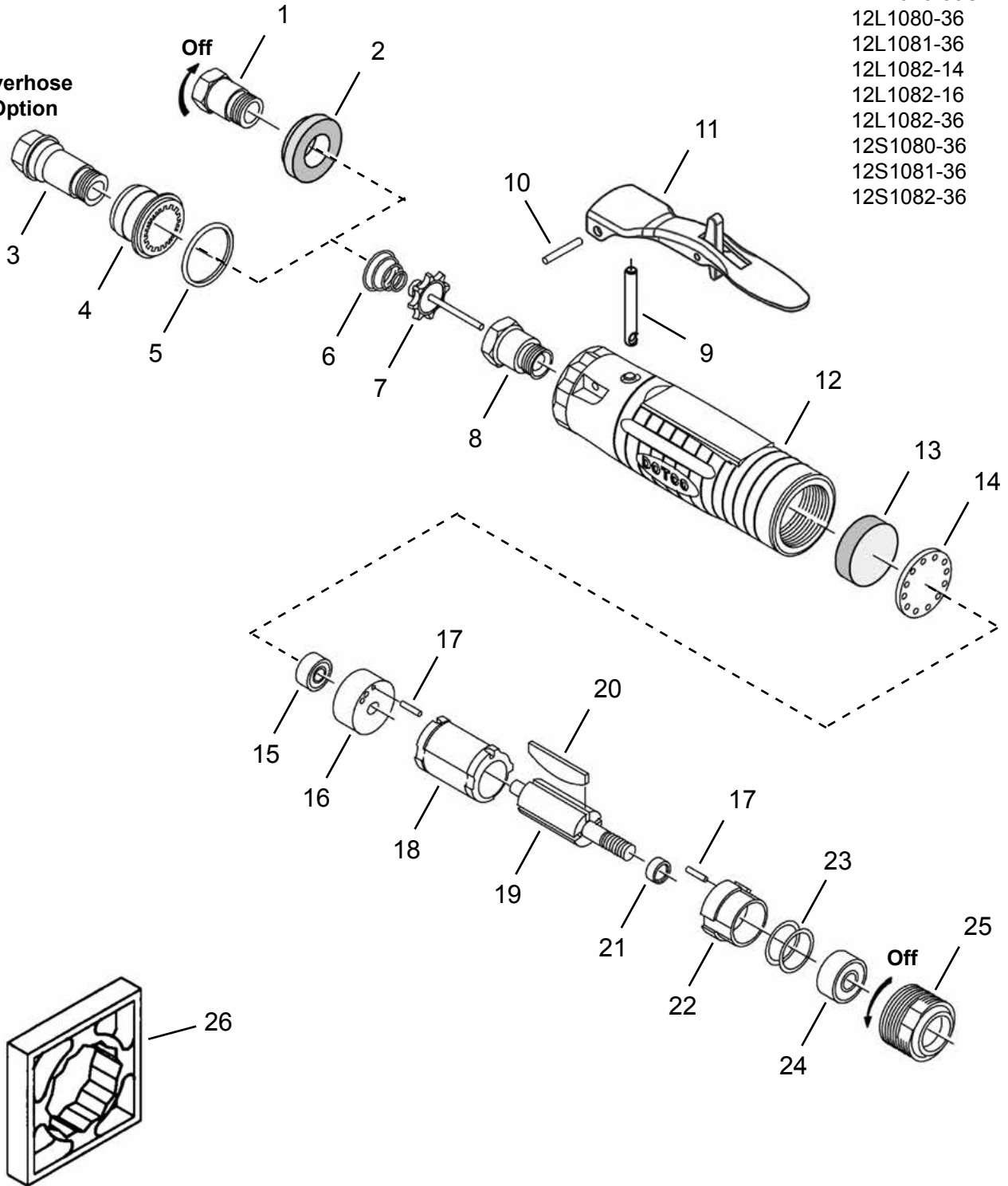
# Dotco® Rear Exhaust Motor Assembly

**“B”**

## Models

- 12L1028-36
- 12S1028-36
- 12L1076-36OH
- 12L1080-36
- 12L1081-36
- 12L1082-14
- 12L1082-16
- 12L1082-36
- 12S1080-36
- 12S1081-36
- 12S1082-36

Overhose  
Option





**Dotco®**  
Rear Exhaust Motor Assembly

**45-8158EN**  
08/24/2015

**Illustration "B"**

Ref	Number	#	X	EN	
				Description	
1	01-2505	1	1	Air Inlet Adapter (Rear Exhaust - no Overhose)	
2	01-2520	1	1	Diffuser (Rear Exhaust - no Overhose)	
3	01-1031	1	1	Air Inlet Adapter (Rear Exhaust - Overhose)	
4	01-1032	1	1	Muffler (Rear Exhaust - Overhose)	
5	3036PT	1	3	O-Ring (Rear Exhaust - Overhose)	
6	01-2519	1	3	Valve Spring	
7	01-2518	1		Valve	
8	01-2504	1		Valve Seat	
9	01-1017	1		Push Rod	
10	1042	1	1	Throttle Lever Pin	
11	01-1267	1	1	Throttle Lever	
12	01-1001	1		Motor Housing	
13	01-1046	1	3	Filter Disc	
14	01-1016	1	1	Filter Retainer	
15	504PT	1	2	Ball Bearing	
16	Table "B"	1		Rear Plate (includes 1 Ref. 16)	
17	1041	2		Locating Pin	
18	1002PT	1		Cylinder	
19	Table "B"	1		Rotor	
20	Table "B"	4	12	Rotor Blade	
21	1017PT	1		Rotor Spacer	
22	Table "B"	1		Front Plate (includes 1 Ref. 16)	
23	1355	1		Shim Packet	
24	538PT	1	2	Ball Bearing	
25	1045	1		Lock Ring	
26	14-0851	1		Housing Wrench (not included with tool)	
27	45-2687	1		Overhose Assembly - OH Models (4') (not shown)	

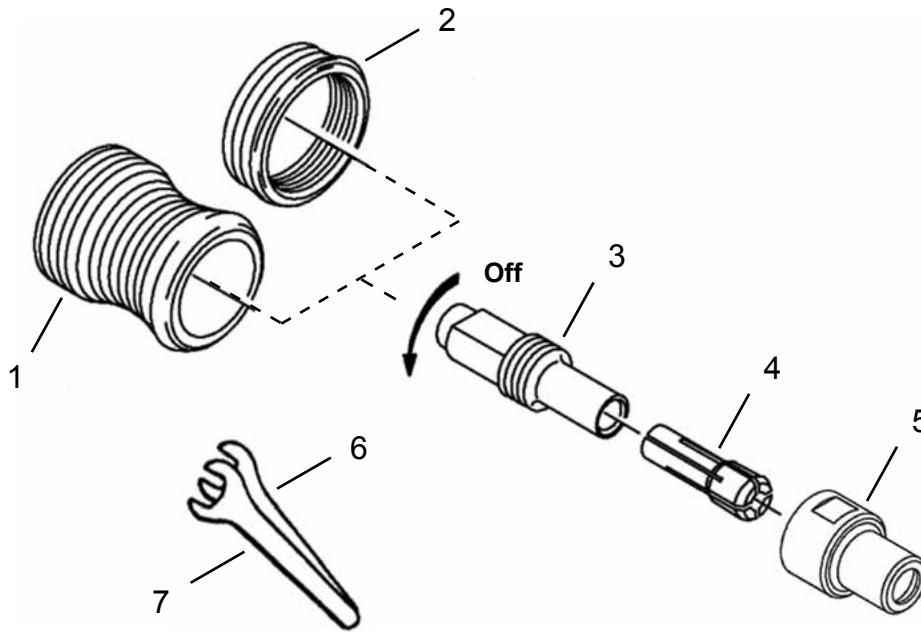
(#) Quantity

(X) Recommended Spare Parts (quantity shown based on 1-5 tools in operation)

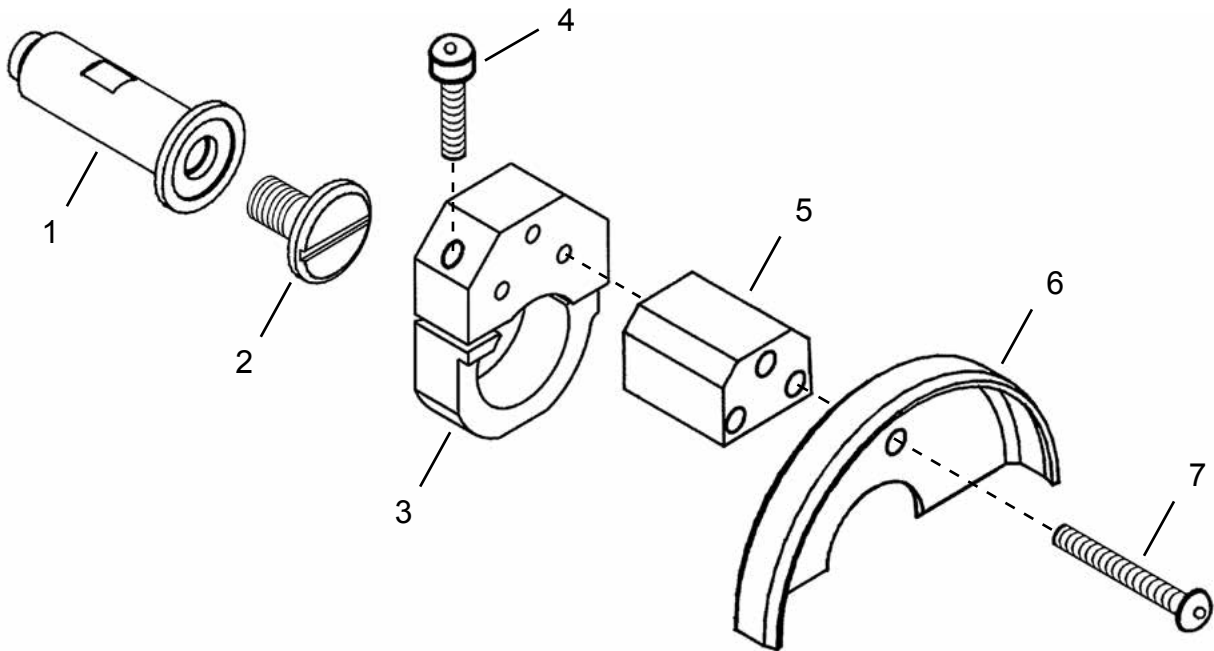
**Table "B"**

Ref.	Description	#	12L1080-36		12L1081-36		12S1028-36		#	12S1028OHLH (Left Hand Rotation)
			12S1080-36	#	12S1081-36	#	12L1076-36OH	12L1082-14		
16	Rear Plate	1	1003PT	1	1003PT	1	1003PT	1	2157PT	
19	Rotor	1	1005S	1	02-1214S	1	1005S	1	1005S	
20	Rotor Blade	4	1006PT	3	1006PT	4	1906PT	4	1906PT	
22	Front Plate	1	1004PT	1	1004PT	1	1004PT	1	2158PT	

**“C”** Termination -36 (1/4” Collet)



**“D”** Terminations -14 and -16 (3” Cut-Off Wheel)



**Illustration "C"**

Ref	Number	#	X	EN
				Description
1	01-1047	1		Collet Guard (Long)
2	01-1050	1		Collet Guard (Short)
3	1054PT	1	2	Collet Chuck Body
4	308PT	1	2	Collet (1/4")
5	208196PT	1	2	Collet Nosepiece Cap
6	14-0807	1		Wrench (7/16")
7	14-0811	1		Wrench (11/16")

(#) Quantity

(X) Recommended Spare Parts (quantity shown based on 1-5 tools in operation)

**Illustration "D"**

Ref	Number	#	X	EN
				Description
1	14-1036	1		Cut-Off Wheel Adapter (Termination -14)
	14-1037	1		Cut-Off Wheel Adapter (Termination -16)
2	14-1038	1	1	Cut-Off Wheel Adapter Screw - 1/4-20 (Termination -14)
	14-1039	1	1	Cut-Off Wheel Adapter Screw - 3/8-24 (Termination -16)
--	14-1018	1		3" Cut-Off Wheel Guard (includes Ref. 3-7)
3	14-1040	1		Guard Clamp
4	14-1108	1	1	Socket Head Cap Screw (#10-32 x .75)
5	14-1041	1		Guard Spacer
6	14-1258S	1		3" Type 1 Guard Hood
7	14-1042	3	3	Button Head Cap Screw (#10-32 x 1.5)

(#) Quantity

(X) Recommended Spare Parts (quantity shown based on 1-5 tools in operation)

# POWER TOOLS SALES & SERVICE CENTERS

Please note that all locations may not service all products.  
Contact the nearest Apex Tool Group Sales & Service Center for the appropriate facility to handle your service requirements.

## NORTH AMERICA | SOUTH AMERICA

### Detroit, Michigan

Apex Tool Group  
2630 Superior Court  
Auburn Hills, MI 48236  
Phone: +1 (248) 393-5640  
Fax: +1 (248) 391-6295

### Lexington, South Carolina

Apex Tool Group  
670 Industrial Drive  
Lexington, SC 29072  
Phone: +1 (800) 845-5629  
Phone: +1 (919) 387-0099  
Fax: +1 (803) 358-7681

### Louisville, Kentucky

Apex Tool Group  
1000 Glengarry Drive  
Suite 150  
Fairdale, KY 40118  
Phone: +1 (502) 708-3400  
[apexpowertools.com/service](http://apexpowertools.com/service)

### Canada

Apex Tool Canada, Ltd.  
7631 Bath Road  
Mississauga, Ontario L4T 3T1  
Canada  
Phone: (866) 691-6212  
Fax: (905) 673-4400

### Mexico

Apex Tool Group  
Manufacturing México  
S. de R.L. de C.V.  
Vialidad El Pueblito #103  
Parque Industrial Querétaro  
Querétaro, QRO 76220  
Mexico  
Phone: +52 (442) 211 3800  
Fax: +52 (800) 685 5560

### Brazil

Apex Tool Group  
Ind. Com. Ferram, Ltda.  
Av. Liberdade, 4055  
Zona Industrial Iporanga  
Sorocaba, São Paulo  
CEP# 18087-170  
Brazil  
Phone: +55 15 3238 3820  
Fax: +55 15 3238 3938

## EUROPE | MIDDLE EAST | AFRICA

### England

Apex Tool Group  
GmbH & Co. OHG  
C/O Spline Gauges  
Piccadilly, Tamworth  
Staffordshire B78 2ER  
United Kingdom  
Phone: +44 1827 8727 71  
Fax: +44 1827 8741 28

### France

Apex Tool Group S.A.S.  
25 rue Maurice Chevalier  
B.P. 28  
77831 Ozoir-La-Ferrière  
Cedex, France  
Phone: +33 1 64 43 22 00  
Fax: +33 1 64 43 17 17

### Germany

Apex Tool Group  
GmbH & Co. OHG  
Industriestraße 1  
73463 Westhausen  
Germany  
Phone: +49 (0) 73 63 81 0  
Fax: +49 (0) 73 63 81 222

### Hungary

Apex Tool Group  
Hungária Kft.  
Platánfa u. 2  
9027 Győr  
Hungary  
Phone: +36 96 66 1383  
Fax: +36 96 66 1135

## ASIA PACIFIC

### Australia

Apex Tool Group  
519 Nuringong Street, Albury  
NSW 2640  
Australia  
Phone: +61 2 6058 0300

### China

Apex Power Tool Trading  
(Shanghai) Co., Ltd  
Building A8, No. 38  
Dongsheng Road  
Pudong, Shanghai  
China 201201  
Phone: +86 21 60880320  
Fax: +86 21 60880298

### India

Apex Power Tools India  
Private Limited  
Gala No. 1, Plot No. 5  
S. No. 234, 235 & 245  
Indialand Global  
Industrial Park  
Taluka-Mulsi, Phase I  
Hinjawadi, Pune 411057  
Maharashtra, India  
Phone: +91 020 66761111

### Japan

Apex Tool Group Japan  
Korin-Kaikan 5F,  
3-6-23 Shibakoen, Minato-Ku,  
Tokyo 105-0011, JAPAN  
Phone: +81-3-6450-1840  
Fax: +81-3-6450-1841

### Korea

Apex Tool Group Korea  
#1503, Hibrand Living Bldg.,  
215 Yangjae-dong,  
Seocho-gu, Seoul 137-924,  
Korea  
Phone: +82-2-2155-0250  
Fax: +82-2-2155-0252

### Apex Tool Group, LLC

1000 Lufkin Road  
Apex, NC 27539  
Phone: +1 (919) 387-0099  
Fax: +1 (919) 387-2614  
[www.apexpowertools.com](http://www.apexpowertools.com)

# DOTCO®